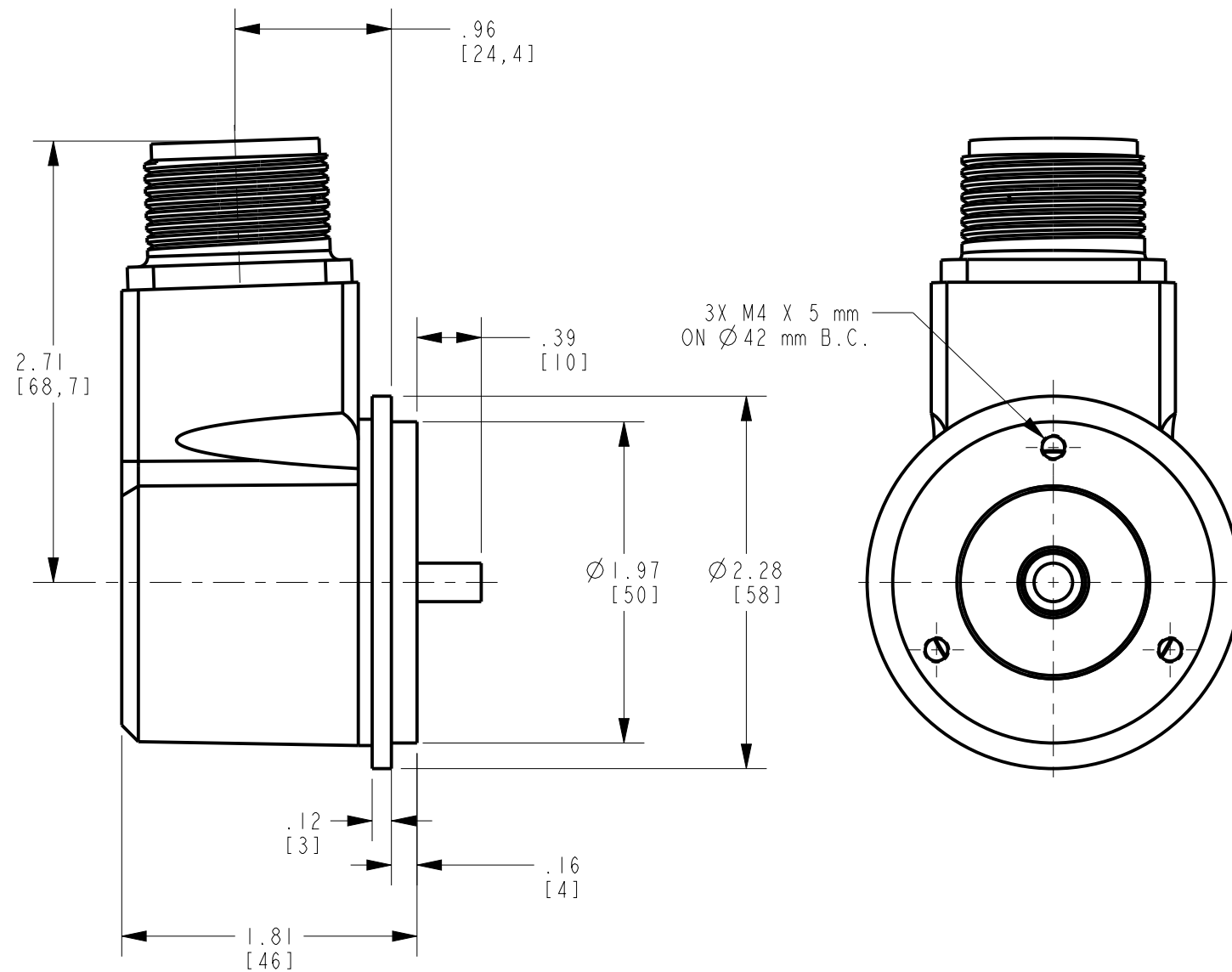


REV	ECN	DATE	APPROVED



ELECTRICAL CONNECTIONS

ENCODER FUNCTION	PIN	WIRE COLOR
SIG. A	A	BRN
SIG. B	B	ORN
SIG. Z	C	YEL
POWER +V	D	RED
N/C	E	-
COM	F	BLK
CASE	G	GRN
SIG. A/	H	BRN/WHT
SIG. B/	I	ORN/WHT
SIG. Z/	J	YEL/WHT

ELECTRICAL

CODE..... INCREMENTAL  
PULSES PER REVOLUTION ..... 1 TO 2540  
PHASING SENSE ..... A LEADS B FOR CCW ROTATION  
VIEWING SHAFT END OF THE ENCODER  
QUADRATURE PHASING .....  $90^{\circ} \pm 22.5^{\circ}$   
SYMMETRY .....  $180^{\circ} \pm 18^{\circ}$  ELECTRICAL  
INDEX .....  $180^{\circ} \pm 18^{\circ}$  ELECTRICAL (GATED WITH B CHANNEL LOW)  
INPUT POWER REQUIREMENTS..... 4.5 MIN. TO 26 VDC AT 80mA MAX.  
OUTPUT SIGNAL ..... 7272 PUSH-PULL AND DIFFERENTIAL LINE DRIVER.,  
40mA SINK OR SOURCE.  
4469 DIFFERENTIAL LINE DRIVER: 100mA SINK OR SOURCE.  
FREQUENCY RESPONSE ..... 100kHz MIN.  
NOISE IMMUNITY ..... TESTED TO EN61326 (INDUSTRIAL) FOR  
ELECTRO STATIC DISCHARGE, RADIO FREQUENCY  
INTERFERENCE, ELECTRICAL FAST TRANSIENTS,  
CONDUCTED AND MAGNETIC INTERFERENCE.

MECHANICAL

WEIGHT..... 283g. (10oz.) MAX.  
STARTING TORQUE ..... WITHOUT SHAFT SEAL: 0.007 N-m;  
WITH SHAFT SEAL: 0.014 N-m  
MOMENT OF INERTIA..... 21.2 g-cm<sup>2</sup>  
SHAFT SPEED  
RESOLUTION UP TO 1024..... 10,000 RPM MAX.  
RESOLUTION OVER 1024..... 5,000 RPM MAX.

SHAFT LOADING:  
(AT 6mm FROM ENCODER FACE)  
RESOLUTION UP TO 1024..... 356 N RADIAL, AXIAL  
RESOLUTION OVER 1024..... 178 N RADIAL, AXIAL

ENVIRONMENTAL

OPERATING TEMPERATURE .....  $0^{\circ}$  TO  $+70^{\circ}$ C (STD. TEMP. MODELS)  
 $-40$  TO  $+85^{\circ}$ C (EXTENDED TEMP. MODELS)  
DERATE  $5^{\circ}$ C/1000 RPM ABOVE 1800 RPM  
STORAGE TEMPERATURE RANGE.....  $-40^{\circ}$  TO  $+90^{\circ}$ C  
SHOCK ..... 50 G's FOR 11 MILLISECOND DURATION  
VIBRATION ..... 20 G's AT 5 TO 2000 Hz  
HUMIDITY ..... TO 98% WITHOUT CONDENSATION  
ENCLOSURE RATING ..... NEMA12/IP54 (DIRT TIGHT, SPLASHPROOF)  
NEMA4/IP66 (DUST PROOF, WASHDOWN  
WHEN ORDERED WITH SHAFT SEAL AND EITHER MS CONNECTOR  
OR WATERTIGHT CABLE EXIT

TOLERANCES UNLESS INDICATED:			UNITS: INCH [mm]		TITLE OUTLINE AND SPECIFICATION, MS CONN.				
.XXX	.XX	ANGLES	MATERIAL:	FILE NAME:	SCALE:	COMPLIANCE REQUIRED			
±	±	±	FINISH:	703040-0001	H58	<input type="checkbox"/> UL	<input type="checkbox"/> CSA	<input type="checkbox"/> CE	<input type="checkbox"/> TUV
.005	.01	$1/2^{\circ}$	/	DRAWN:	DATE:	<input type="checkbox"/> FCC	<input type="checkbox"/> VCCI	<input checked="" type="checkbox"/> RoHS	<input type="checkbox"/> ATEX
© 2012 D.T.C. "B" SIZE					AJ	06/12/12	PRO/E MODEL: 703040-0001.ASM		
					CHECKED:	DATE:	APPLICATION: H58		
					RELEASED:	DATE:	DRAWING NUMBER		
					AJ	06/12/12	703040-0001		
								REV	-