

SERIES HDN58

NorthStar™ brand

Shaft-Less Encoder

Key Features

- No Shaft, Bearings, or Seals to Wear Out
- Eliminates Shaft Coupling Issues
- Completely Sealed & Encapsulated Electronics
- Wide Sensing Envelope is Tolerant to Misalignment
- Incremental or Absolute Output



SPECIFICATIONS

MECHANICAL

Enclosure Diameter: 58mm
Max. Speed: 3000 RPM

ELECTRICAL

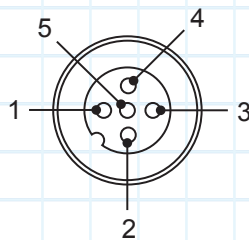
Input Power: 6vdc min to 30vdc max at 60mA max, not including output loads
Outputs: 7272 Push-Pull : 40mA sink or source
Output Resolution: 8 to 2048 quadrature pulses per revolution (13 bit)
Electrical Protection: Overvoltage, Reverse Voltage, Output Short Circuit Protected
Electrical Connections: 5-pin terminal strip, 5-pin M12, 8-pin M12, cable (see Connections)
LED Indicators: Power and Output Channel

ENVIRONMENTAL

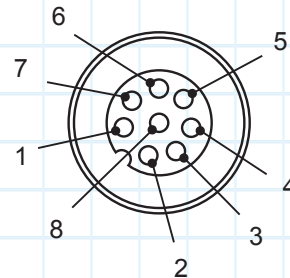
Operating Temperature: -30 to +80 °C (-22 to 176 °F)
Humidity: 100% relative humidity
Potting Compound: Non-porous, water and chemical resistant, RoHS compliant
Shock & Vibration: Meets MIL-STD-202
Shock: 400G/6ms
Thermal Shock: -40 to +125 °C one hour dwell
Vibration: 5 to 3000hz, 20g
Enclosure Rating: Connector dependent IP65, IP67 or IP68

CONNECTIONS

Function	5 Pin Terminal Strip	5 Pin M12	5 Conductor Cable	8 Pin M12	8 Conductor Cable
	Pin	Pin	Wire Color	Pin	Wire Color
+Vdc	1	1	BRN	2	BRN
Common	2	3	BLU	7	BLU
Data A	3	4	BLK	1	WHT
Data B	4	2	WHT	4	GRN
Data Z	5	5	GRY	6	GRY
Data \bar{A}				3	YLW
Data \bar{B}				5	RED
Data \bar{Z}				8	PNK



Male 5-Pin M12



Male 8-Pin M12

Ordering Information

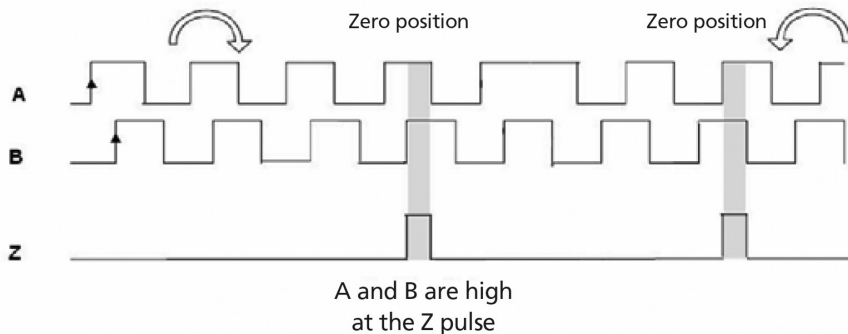
To order, complete the model number with code numbers from the table below:

Code 1: Model	Code 2: PPR	Code 3: Format	Code 4: Connection	Code 5: Target Magnet
HDN58	<input type="checkbox"/> <input type="checkbox"/> <input type="checkbox"/> <input type="checkbox"/>	<input type="checkbox"/>	<input type="checkbox"/>	<input type="checkbox"/>

Ordering Information					
HDN58	0008	0100	0 Single Ended A,B,Z Push-pull (7272) (Code 4 must = 0,1,2 or 3)	0 5 pin M12	0 No Magnet, Customer Supplied
	0010	0125	1 Differential line Driver A,B,Z (7272) (Code 4 must = 4, 5, or 6)	1 5 pin M12 on Pigtail	3 Dual Magnet Nylon Collar, 1/2" Bore
	0016	0128	2 13 bit-Absolute 0-5VDC (code 2 must = ABSO and Code 4 must = 3)	2 5 Conductor Cable	4 Dual Magnet Nylon Collar, 3/4" Bore
	0020	0200	3 13 bit-SSI 0-8192 Line Driver (Code 2 must = ABSO and code 4 must = 4,5 or 6)	3 5 pin Terminal Strip	5 Dual Magnet Nylon Collar, 1" Bore
	0025	0250		4 8 pin M12	6 Dual Magnet Nylon Collar, 1-1/2" Bore
	0032	0256		5 8 pin M12 on Pigtail	R Ring Magnet w/Knurled Alumnum Bolt, 1/4-20
	0040	0400		6 8 Conductor Cable	
	0050	0500			
	0064	0512			
	0080				
	Code 3 Must be J ABSO		V1 5VDC Input Voltage, .5 - 4.5 Output 0-360 CW, Standard Output Voltage		
	Other resolutions available. Contact factory for details.		V2 6-24 VDC Input Voltage, .5 to 4.5 Output 0-360 CW, Standard Output Voltage		
			I1 12-24VDC Input 4-20mA 0-360 CW, Standard Output		
			J CANbus J1939 Protocol (code 2 must = ABSO and code 4 must = 0)		
	Note: For V1, V2 and I1 Consult Factory for Special Sealing				

HDN58 OUTPUT FORMAT

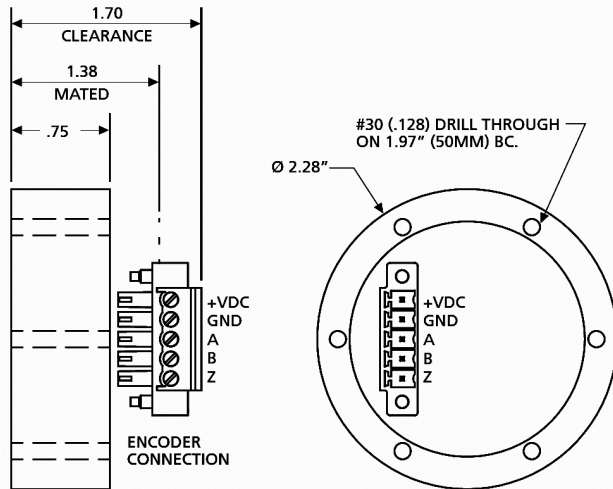
58/MM: QUADRATURE INCREMENTAL OUTPUT



SERIES HDN58



HDN58 DIMENSIONS



HDN58 TARGET MAGNETS

- Neodymium
- Distance from user magnet to face of encoder: 0.01 to 0.5 inches
- Center alignment: 0 to 0.10 inches
- Planar tilt: 30 degrees

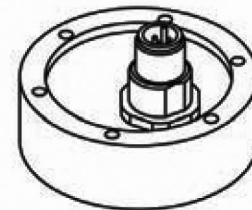
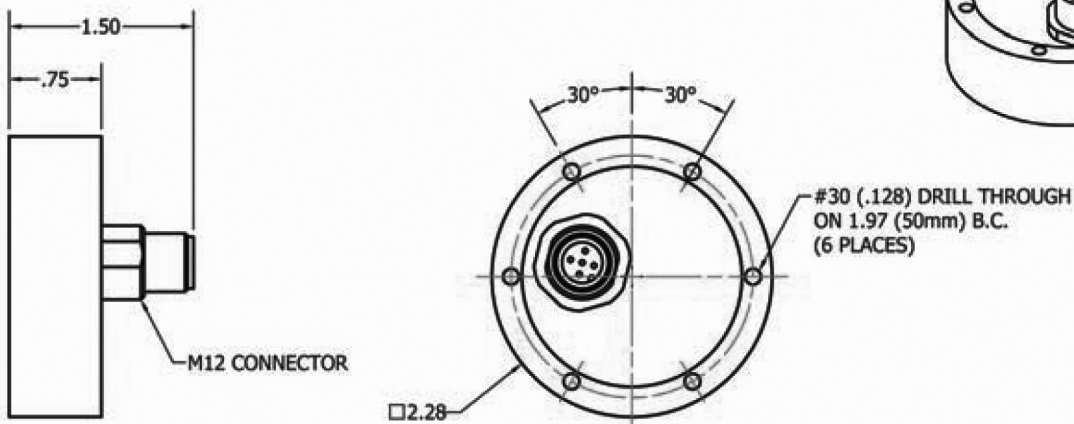


Dual magnet, Nylon collar



1/4 Bolt Magnet with Knurl

M12 CONNECTIONS



WWW.DYNAPAR.COM

Headquarters: 1675 Delany Road • Gurnee, IL 60031-1282 • USA

Customer Service:
Tel.: +1.800.873.8731
Fax: +1.847.662.4150
custserv@dynapar.com

Technical Support
Tel.: +1.800.234.8731
Fax: +1.847.662.4150
northstar.techsupport@dynapar.com

European Sales Representative
Hengstler GmbH
Uhlandstrasse 49, 78554 Aldingen
Germany
www.hengstler.com