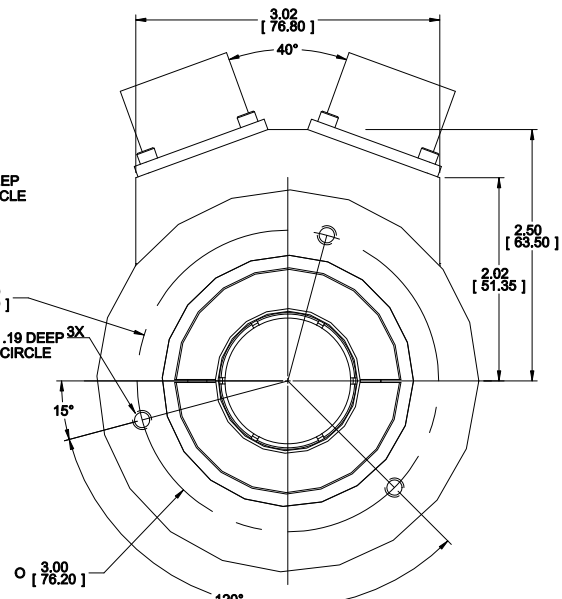
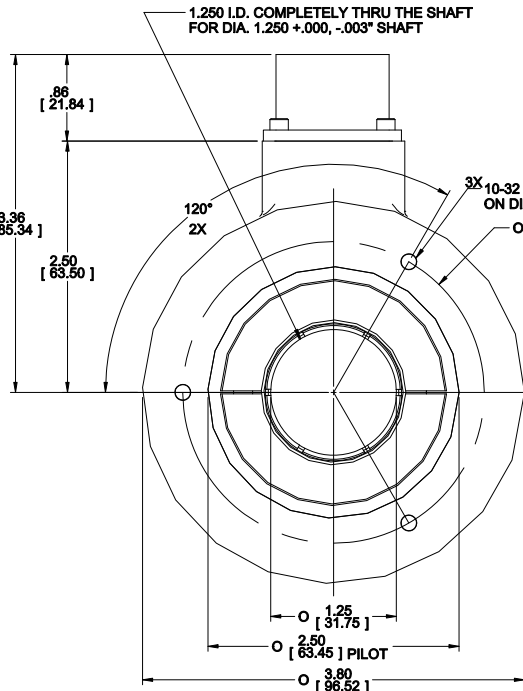
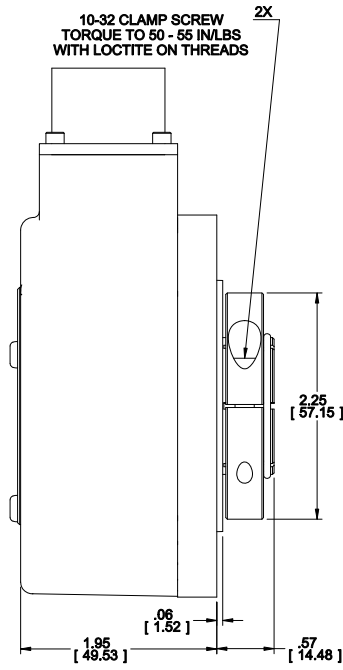


Series HS35R

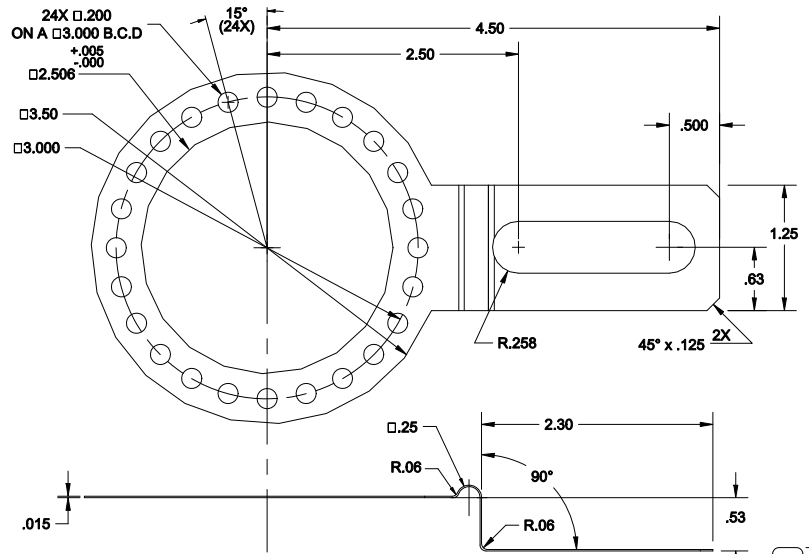
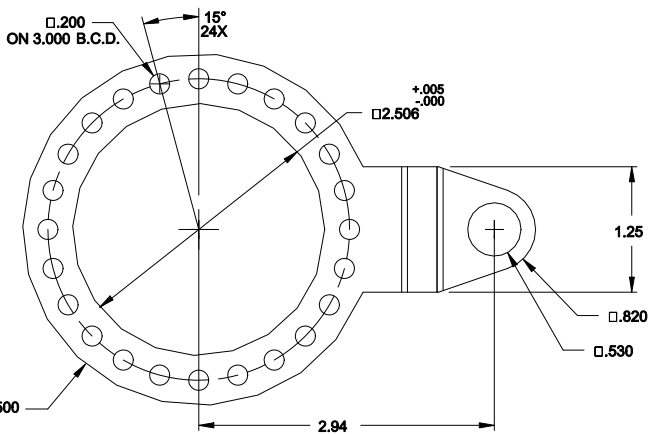
HARSH DUTY HOLLOWSHAFT ENCODER

Meets Stringent Washdown Requirements



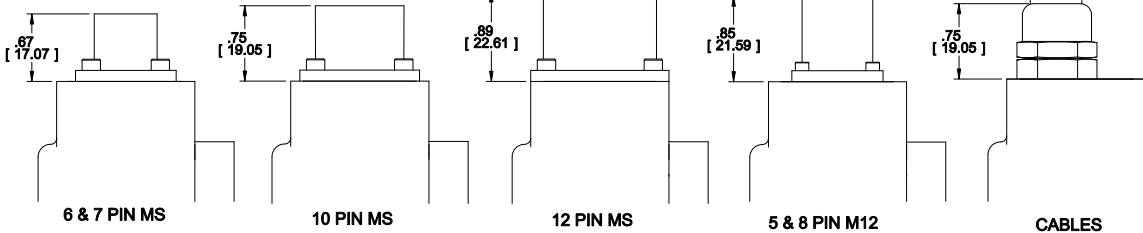
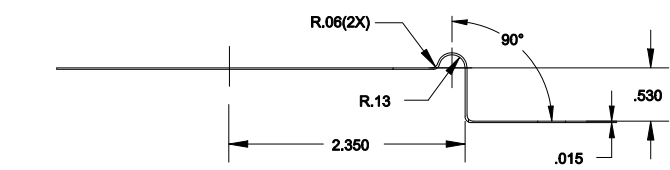
OPTIONAL DUAL OUTPUT COVER
SHOWN WITH 10 PIN CONNECTORS
FOR REFERENCE

SHOWN WITH 10 PIN CONNECTOR
FOR REFERENCE

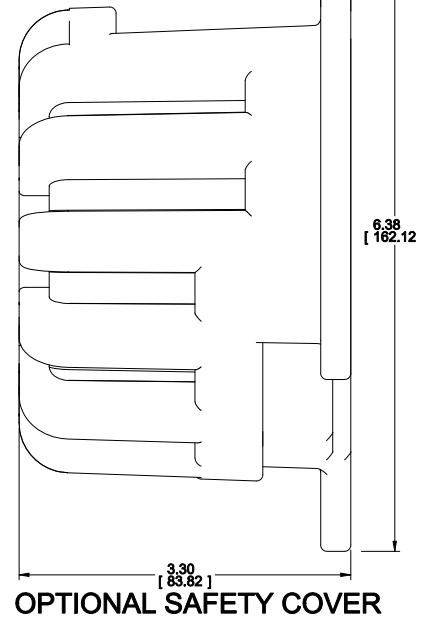
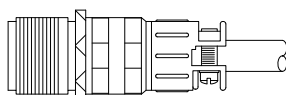


SLOTTED TETHER
SUPPLIED WITH ADAPTOR BUSHINGS
FROM 0.25 TO 0.375
INDEXABLE IN 15 INCREMENTS

SINGLE POINT TETHERS
SUPPLIED WITH ADAPTOR BUSHINGS
FROM 0.25 TO 0.375
INDEXABLE IN 15 INCREMENTS



PIGTAIL WITH MS CONNECTOR (OPTION K)



OPTIONAL SAFETY COVER