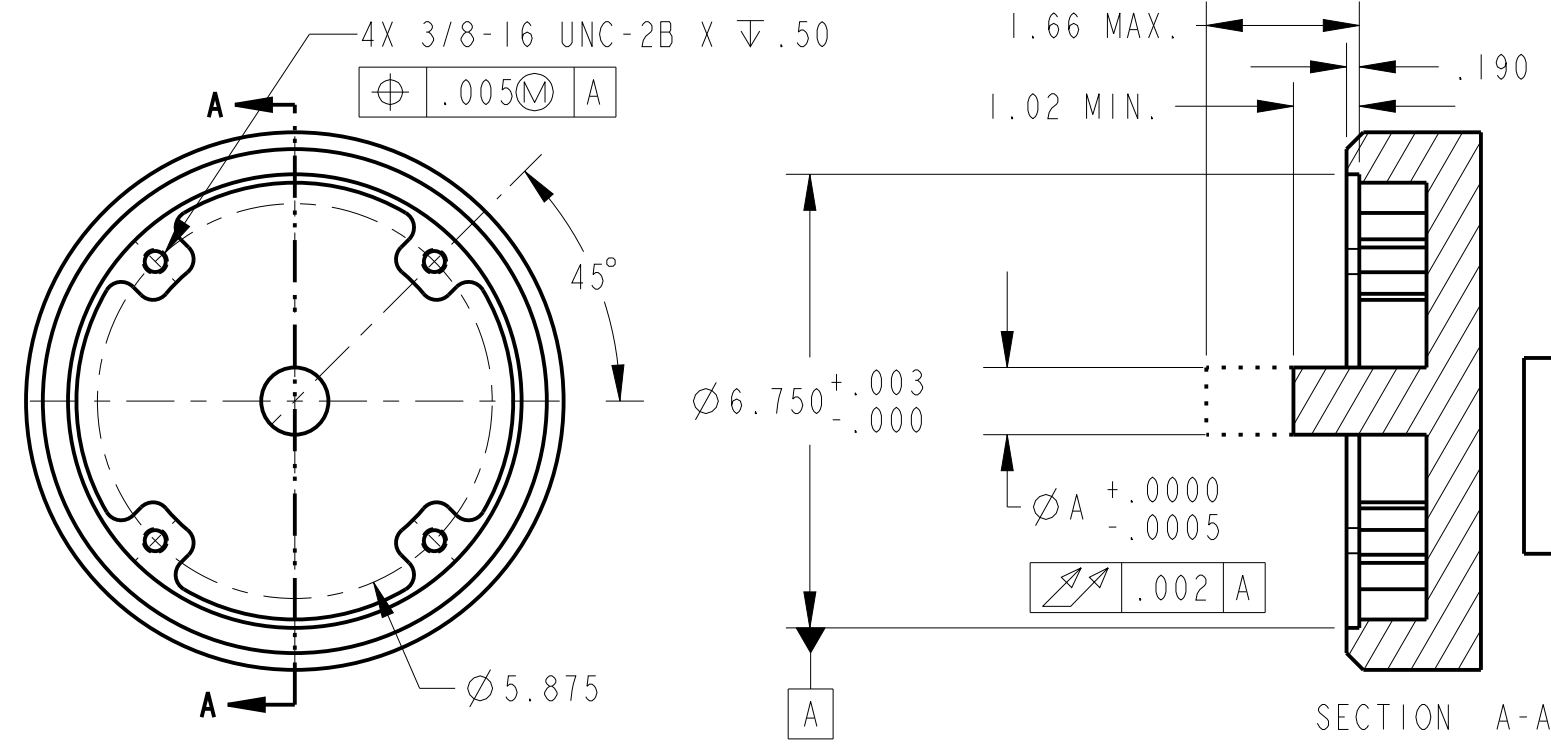
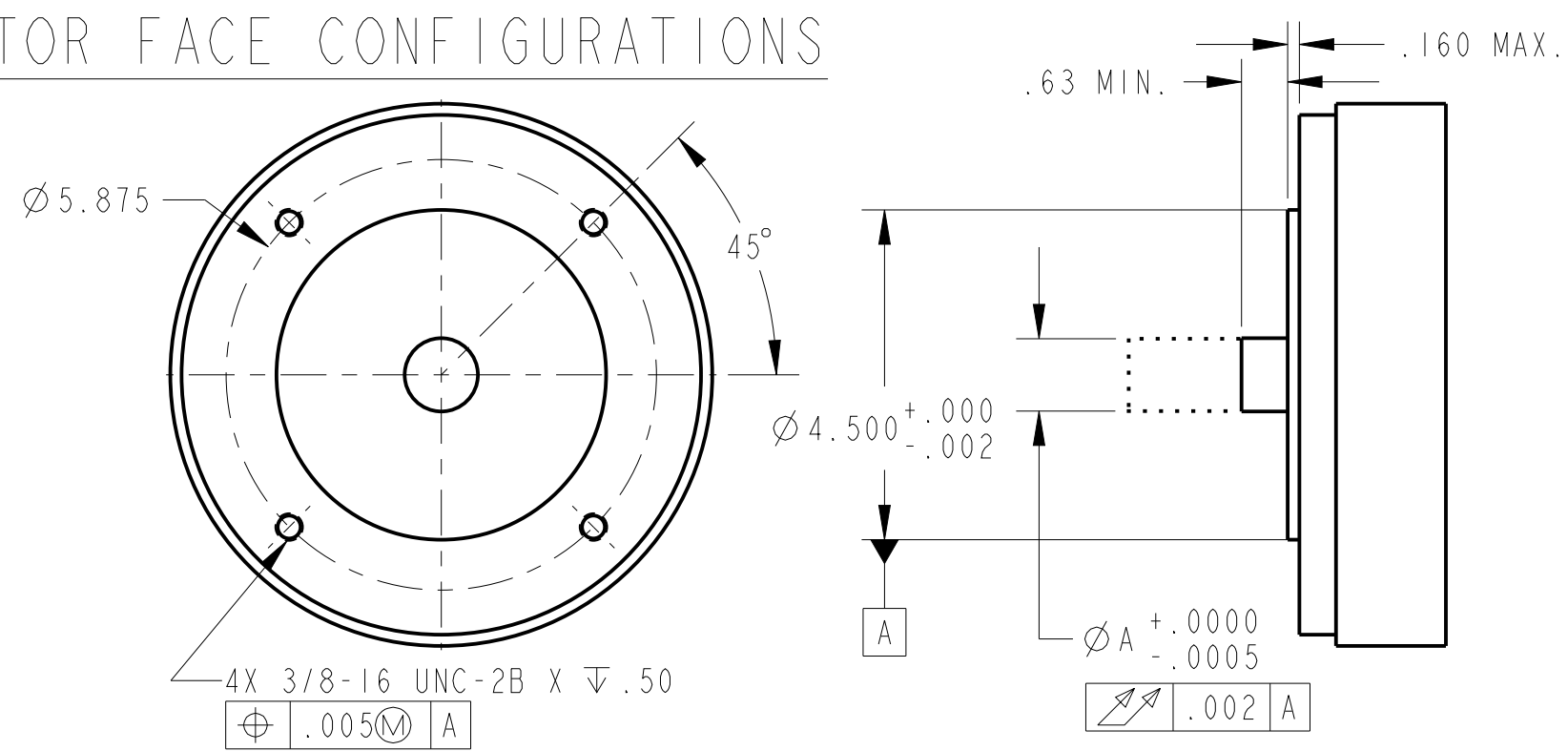
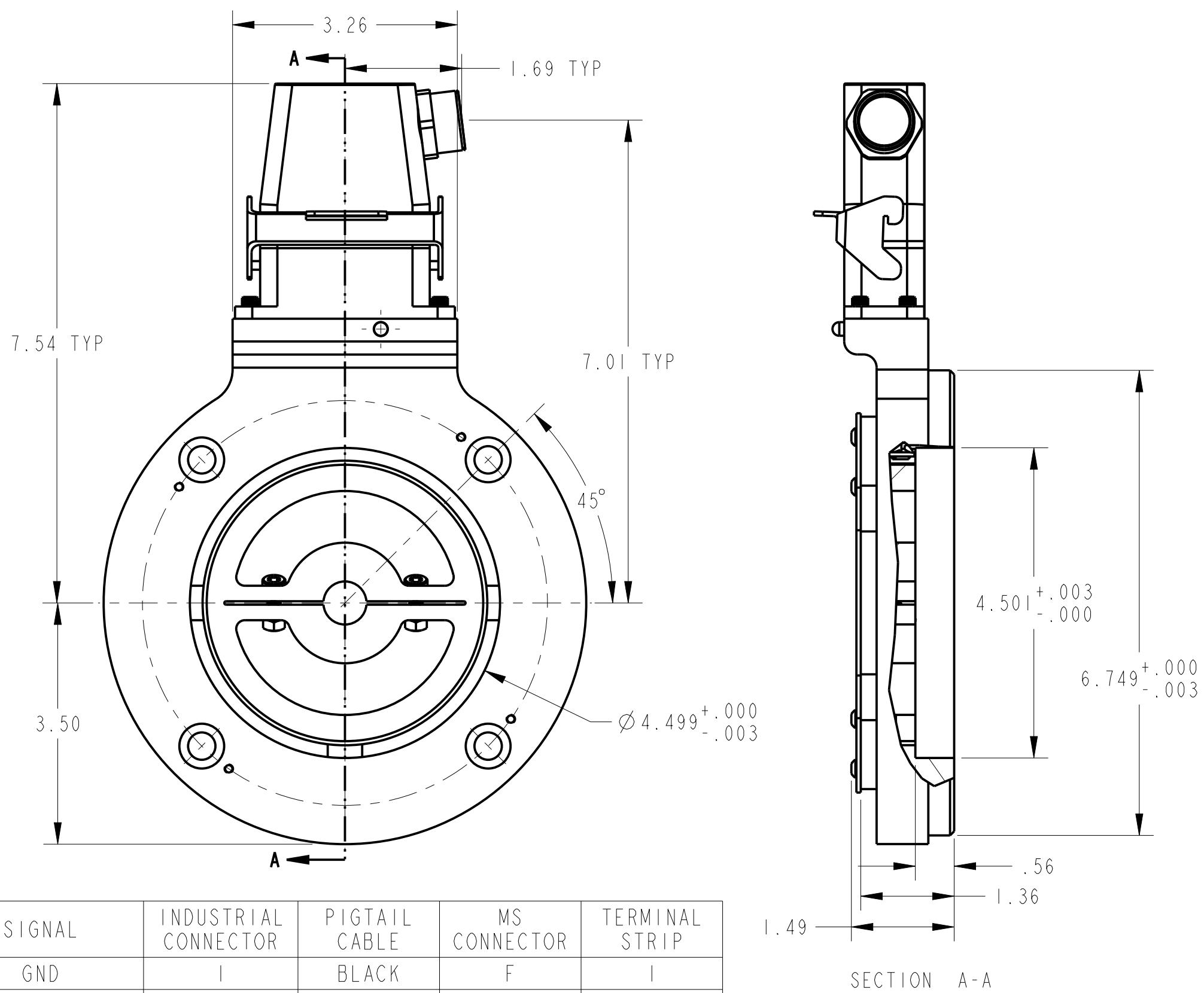


MOTOR FACE CONFIGURATIONS



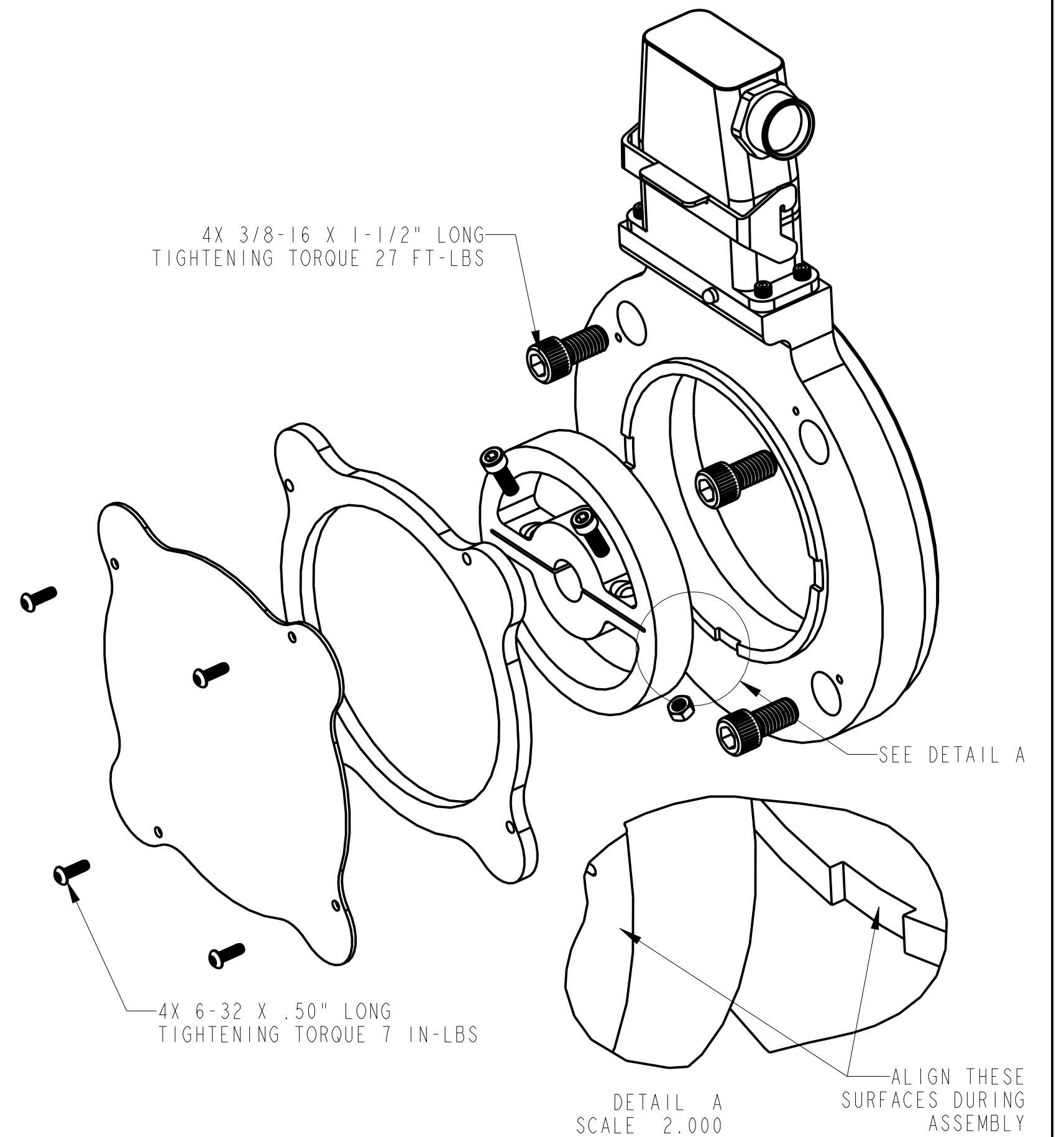
REV	ECN	DATE	APPROVED
A	33814	11/26/13	AJ

SIZE OF "A" RANGES FROM 0.500" TO 2.875" ADDITIONAL SHAFT SIZES AVAILABLE INCLUDING METRIC



SIGNAL	INDUSTRIAL CONNECTOR	PIGTAIL CABLE	MS CONNECTOR	TERMINAL STRIP
GND	1	BLACK	F	1
B	2	GREEN	B	5
A	3	BLUE	A	3
Z	4	VIOLET	C	7
NO CONNECTION	5	-	E	9
+Vs	6	RED	D	2
B/	7	YELLOW	J	6
A/	8	GRAY	H	4
Z/	9	ORANGE	K	8
SHLD	-	BRAID	G	-

ELECTRICAL CONNECTIONS



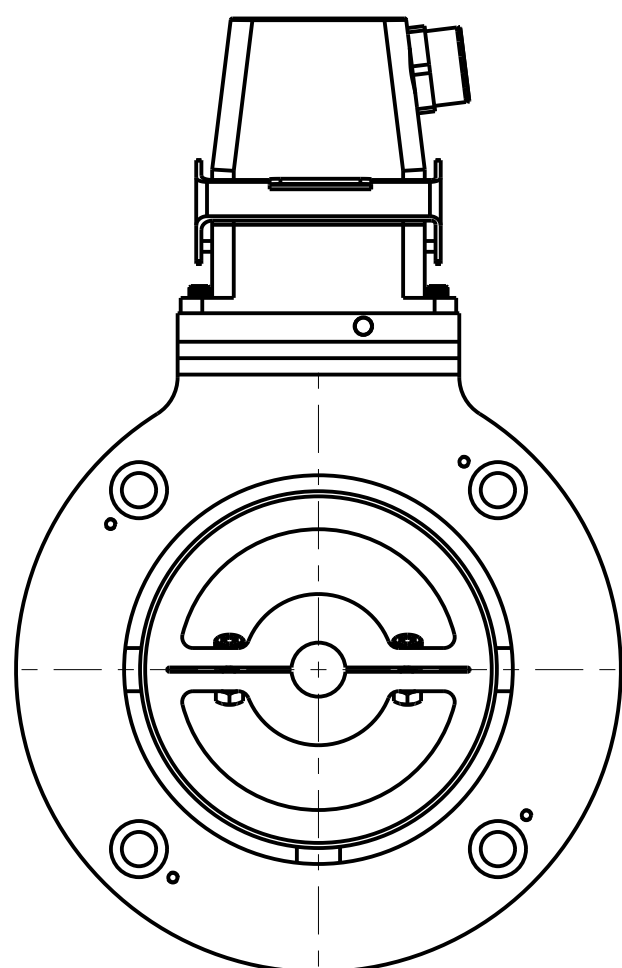
TOLERANCES UNLESS INDICATED:		UNITS: INCH	TITLE
.XXX	.XX	MATERIAL:	CUSTOMER DRAWING, ST67
± .005	± .01	FINISH:	FILE NAME: 703062-0001
		ANGLES: 1/2°	SCALE: /
			DATE: 11/20/12
			COMPLIANCE REQUIRED: <input type="checkbox"/> UL <input type="checkbox"/> CSA <input type="checkbox"/> CE <input type="checkbox"/> TUV
			<input type="checkbox"/> FCC <input type="checkbox"/> VCCI <input type="checkbox"/> RoHS <input type="checkbox"/> ATEX
			PRO/E MODEL: 703062-0001
			APPLICATION: ST67
			DRAWING NUMBER
			703062-0001 10F4 A



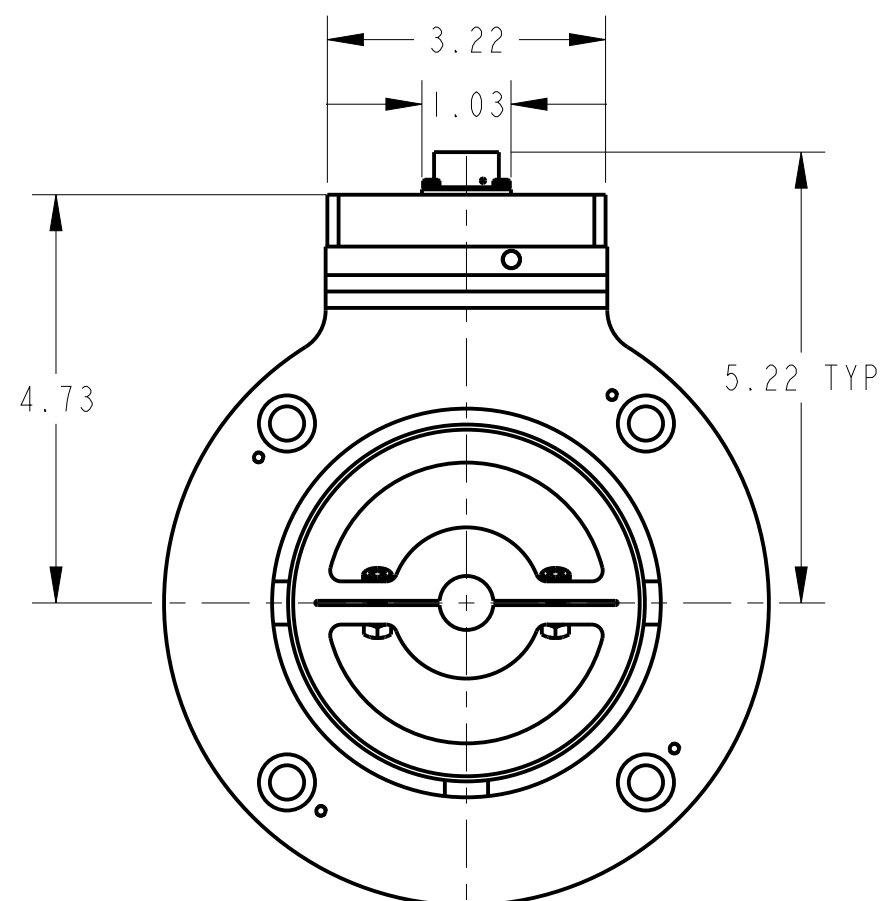
STANDARD HOUSING - DUAL C-FACE

REV	ECN	DATE	APPROVED

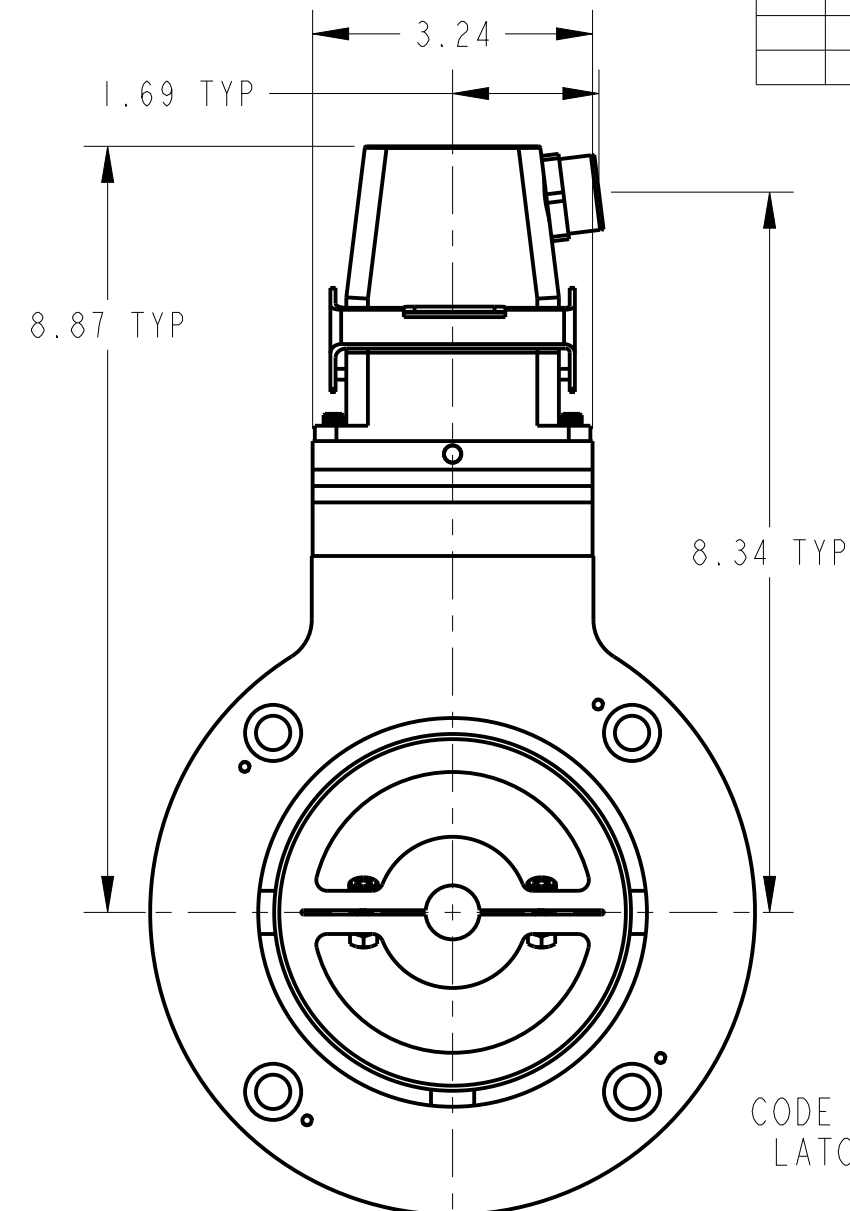
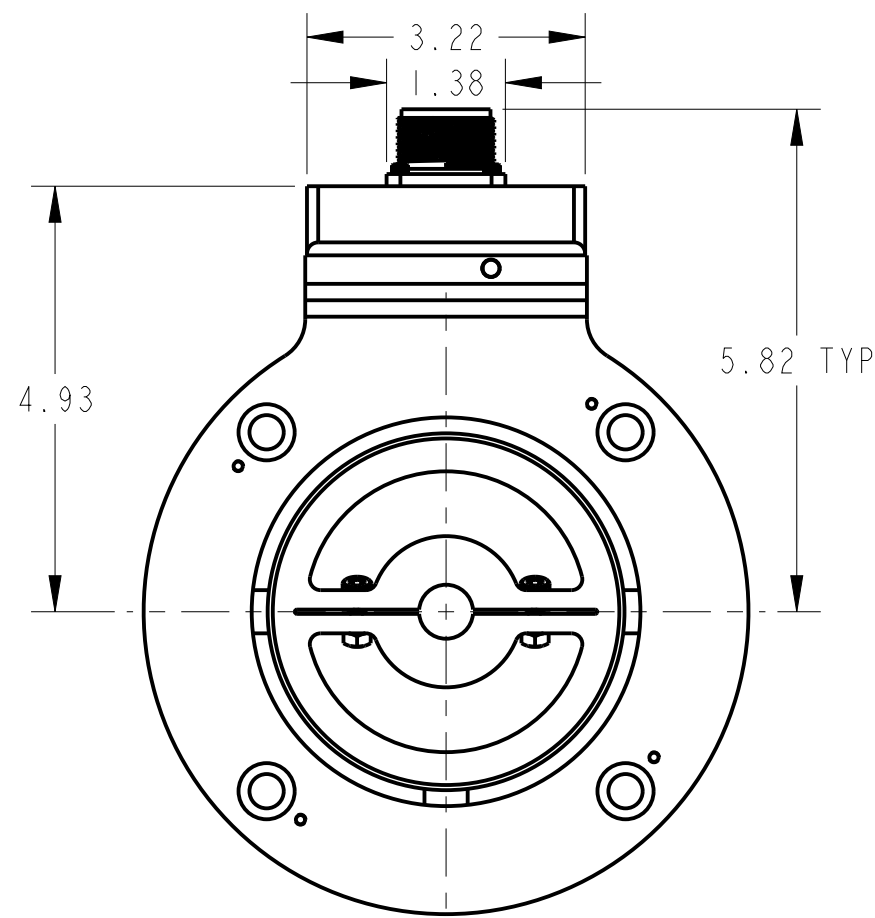
CODE 5 TERMINATION: C
LATCHING INDUSTRIAL
CONNECTOR



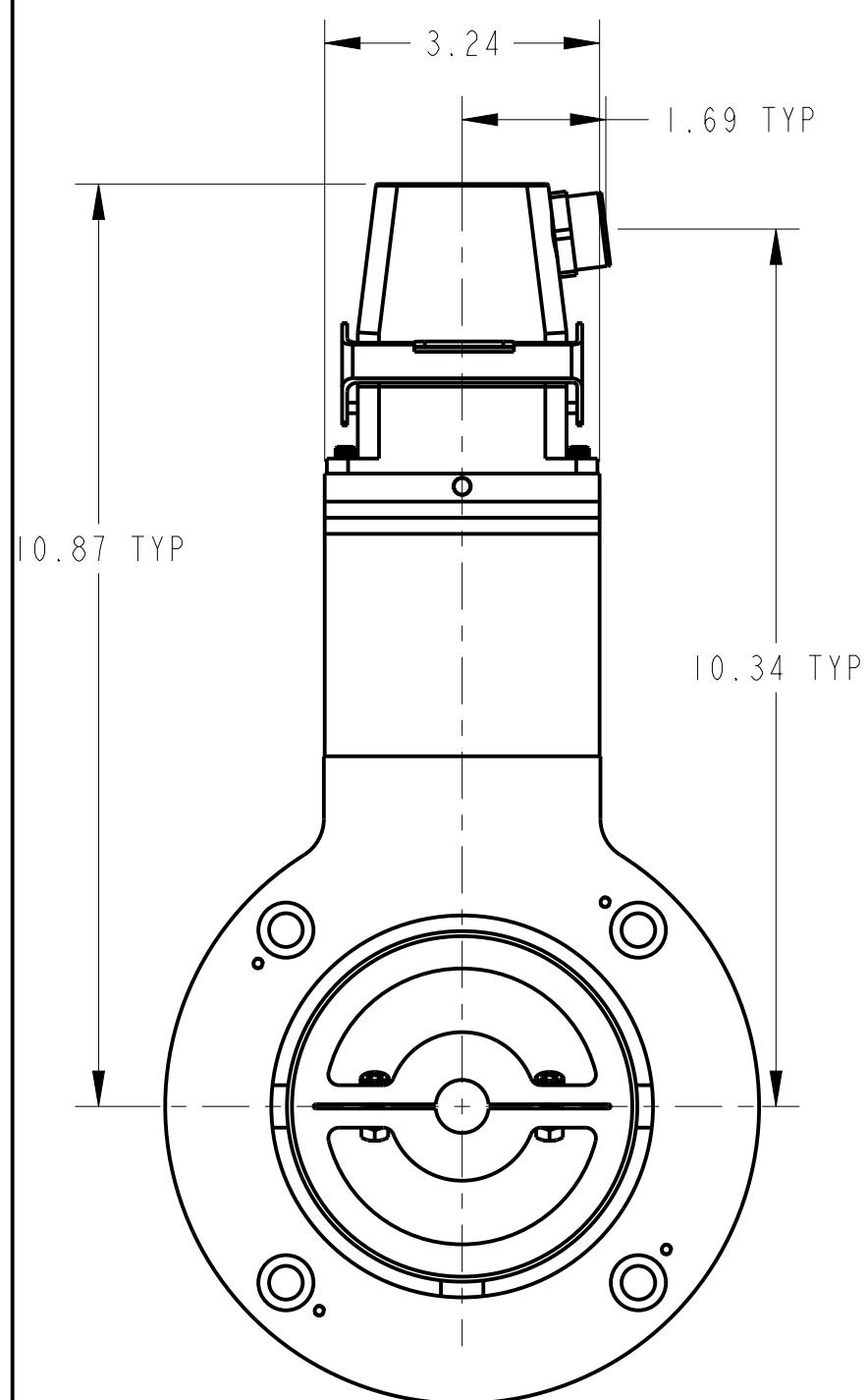
CODE 5 TERMINATION: N
10 PIN MS 3112
CONNECTOR



CODE 5 TERMINATION: M
10 PIN MS
CONNECTOR

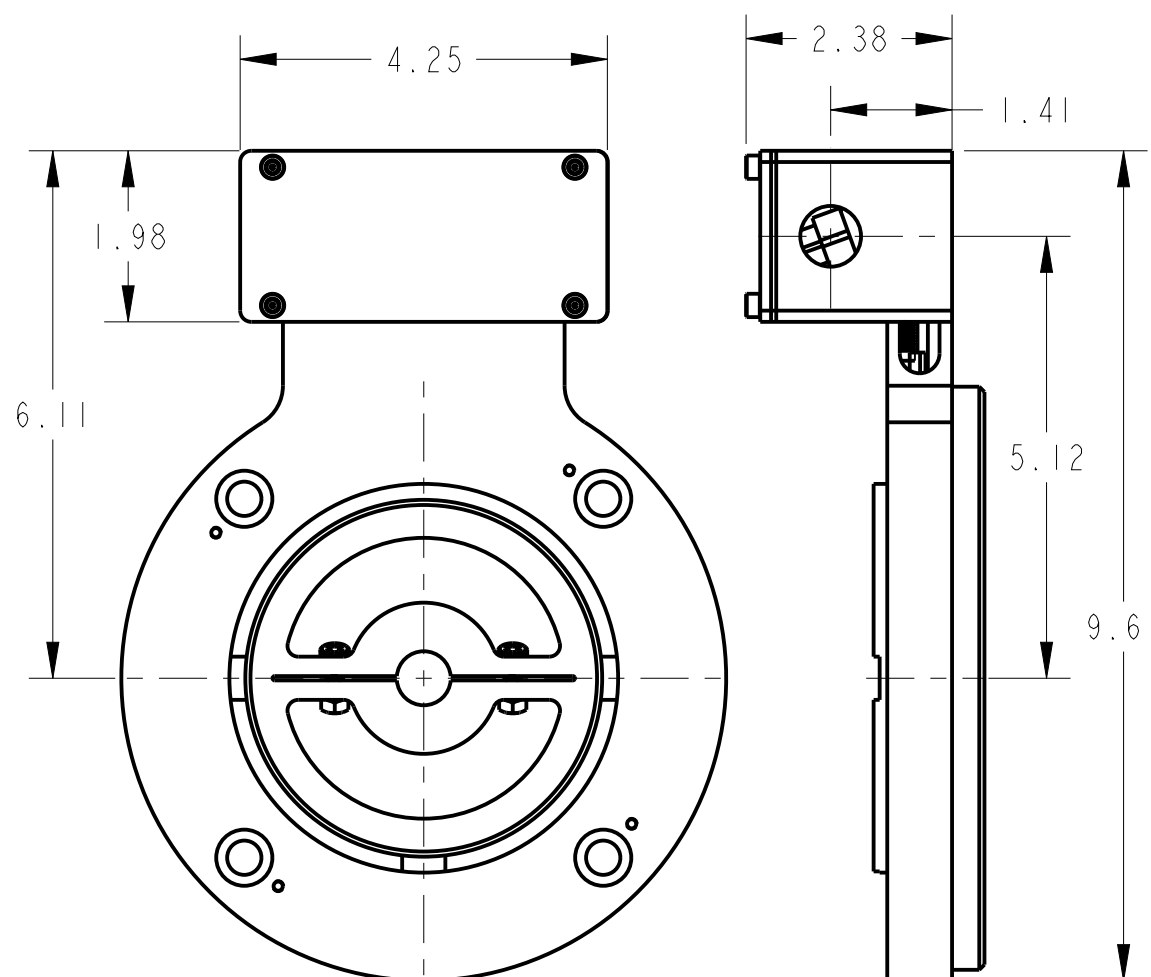


CODE 5 TERMINATION: D
LATCHING INDUSTRIAL
CONNECTOR

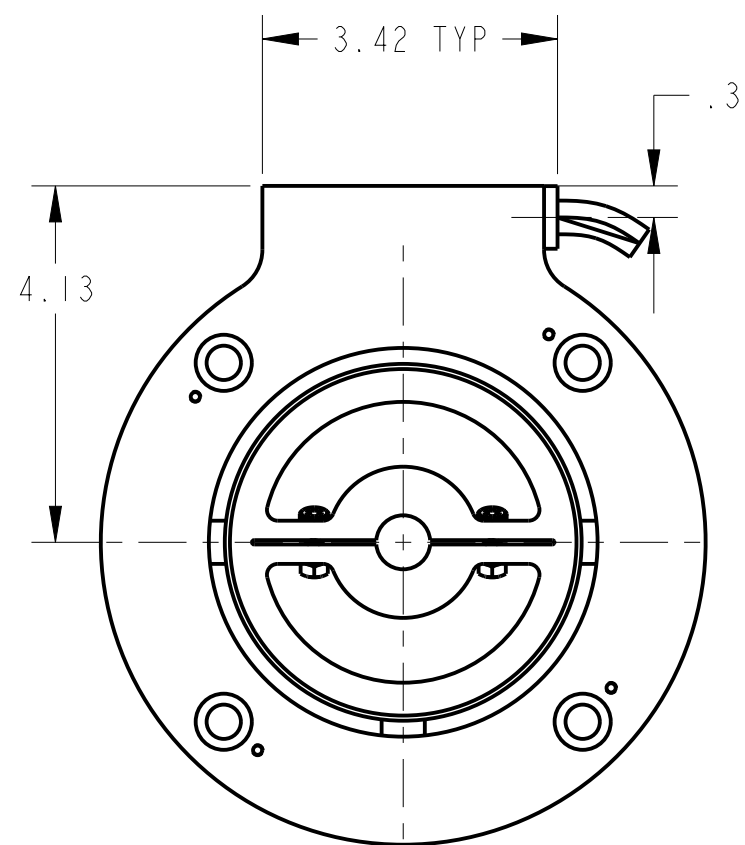


CODE 5 TERMINATION: E
LATCHING INDUSTRIAL
CONNECTOR

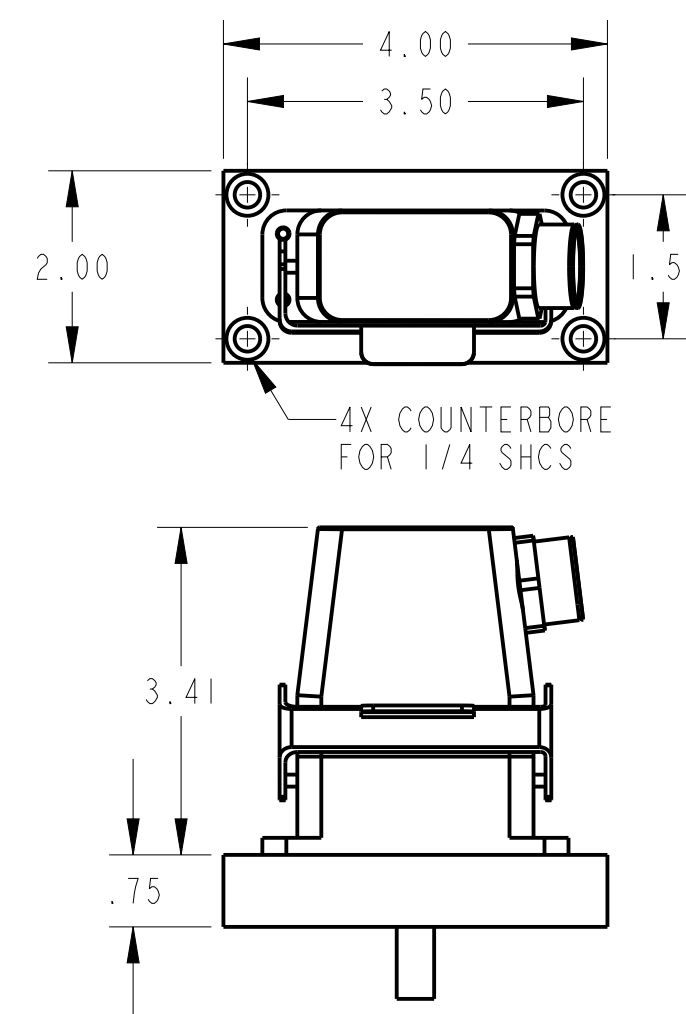
CODE 5 TERMINATION: B
CONDUIT BOX



CODE 5 TERMINATION: P
18" PIGTAIL CABLE



CODE 5 TERMINATION: Q
LATCHING CONNECTOR
ON 18" PIGTAIL CABLE



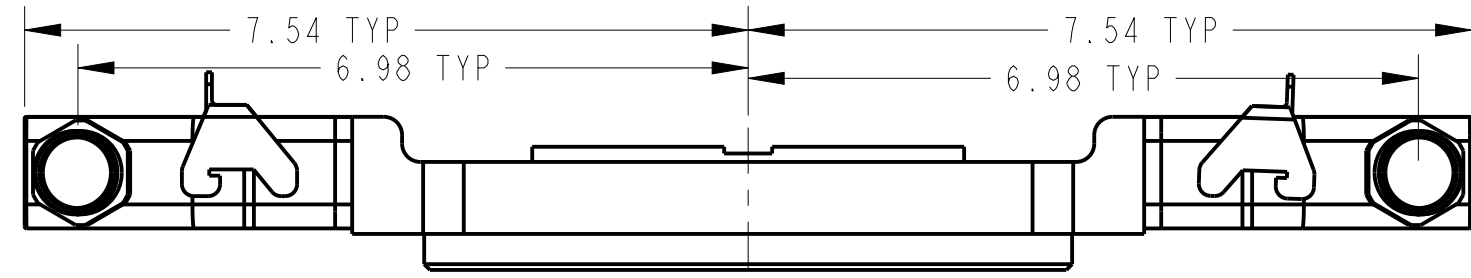
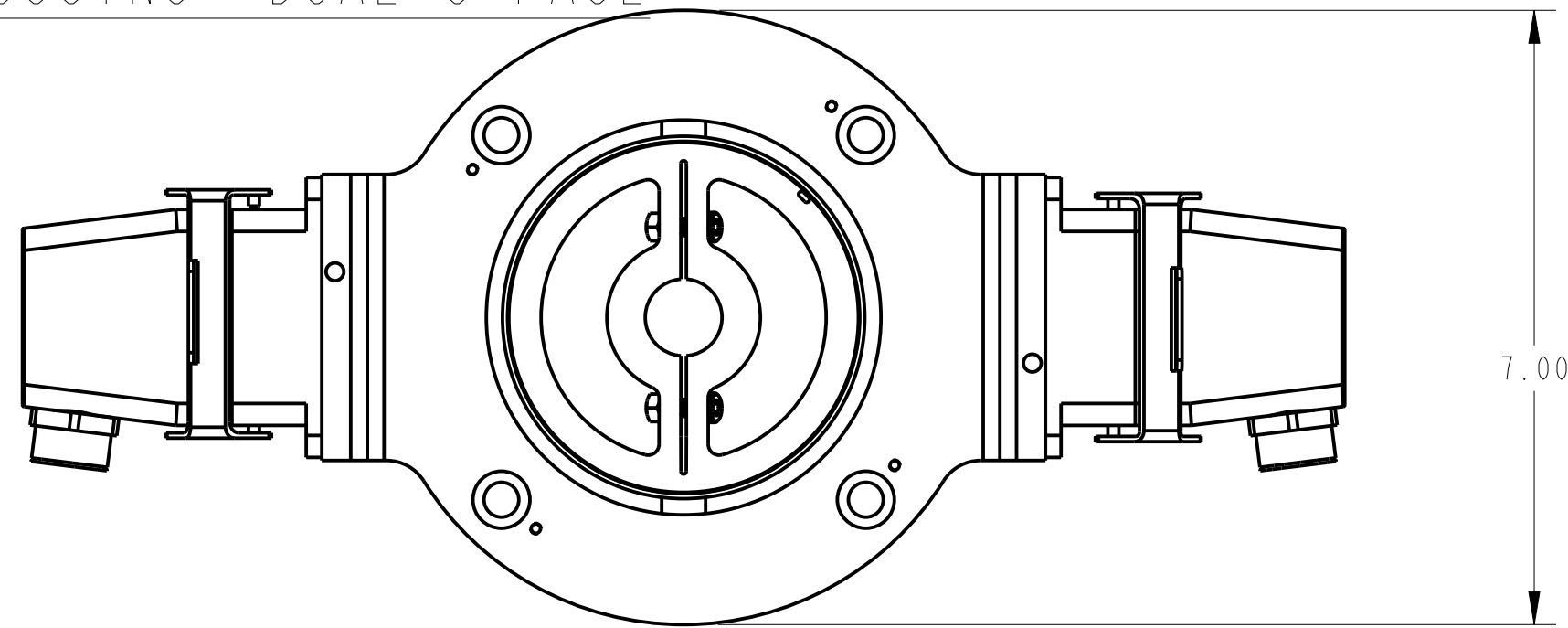
TOLERANCES UNLESS INDICATED:		UNITS: INCH	
.XXX	.XX	ANGLES	MATERIAL:
± .005	± .01	± 1/2°	FINISH:

© 2012 D.T.C. "C" SIZE
DYNAPAR™

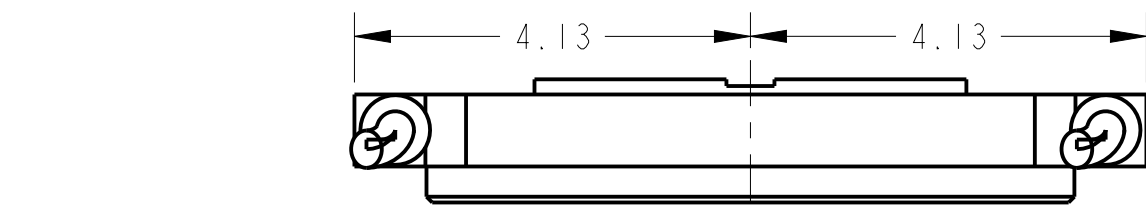
TITLE CUSTOMER DRAWING, ST67		COMPLIANCE REQUIRED	
FILE NAME: 703062-0001	SCALE: /	<input type="checkbox"/> UL	<input type="checkbox"/> CSA
DRAWN: AJ	DATE: 11/20/12	<input type="checkbox"/> FCC	<input type="checkbox"/> CE
CHECKED:	DATE:	<input type="checkbox"/> VCCI	<input type="checkbox"/> RoHS
RELEASED: AJ	DATE: 11/20/12	<input type="checkbox"/> ATEX	PRO/E MODEL: 703062-0001
			APPLICATION: ST67
			DRAWING NUMBER
			703062-0001 20F4 A

DUAL OUTPUT HOUSING -DUAL C-FACE

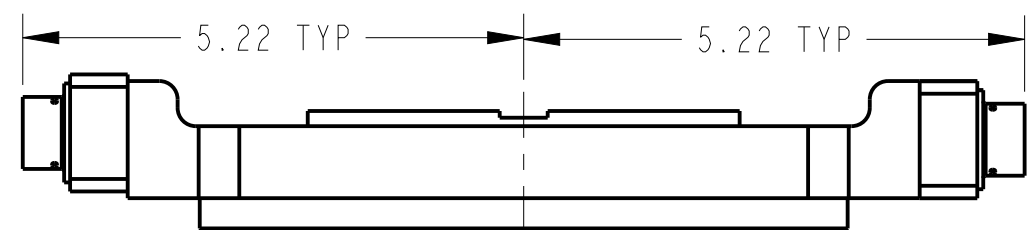
REV	ECN	DATE	APPROVED



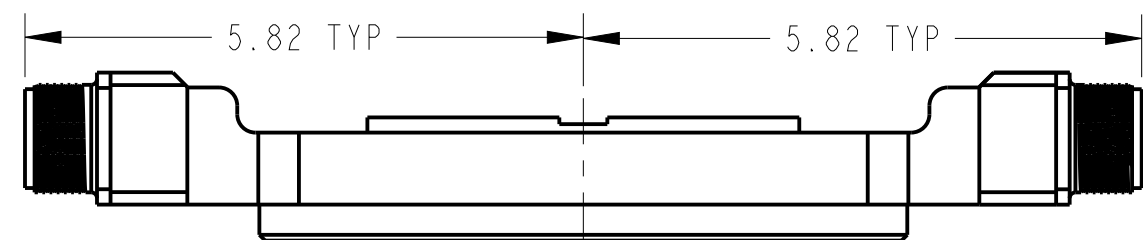
CODE 5 TERMINATION: C
CODE 1 MODEL: DT6
LATCHING CONNECTOR



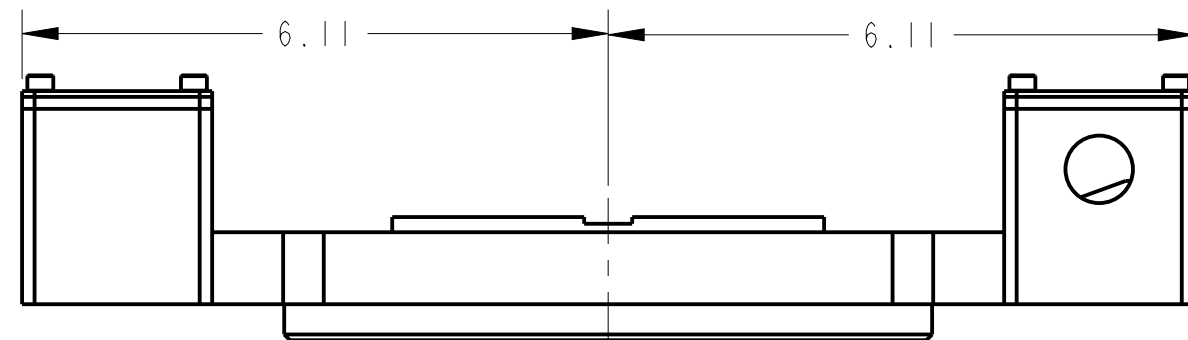
CODE 5 TERMINATION: P
CODE 1 MODEL: DT6
PIGTAIL CABLE



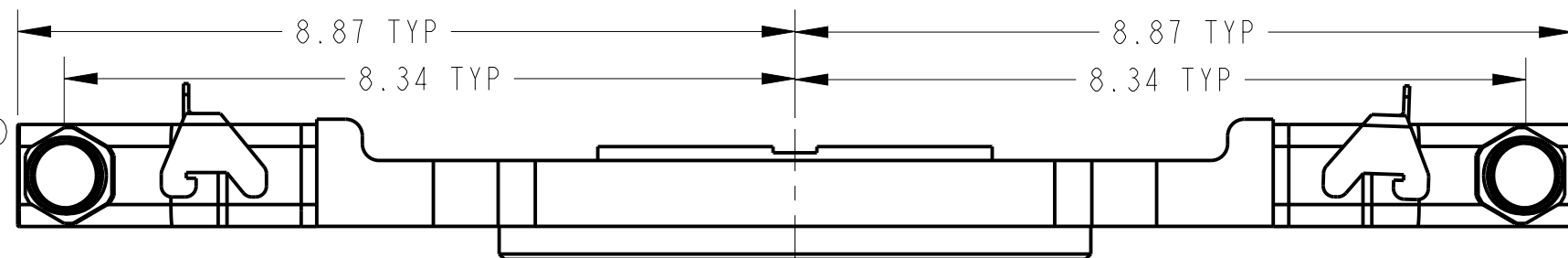
CODE 5 TERMINATION: N
CODE 1 MODEL: DT6
MS 3112 CONNECTOR



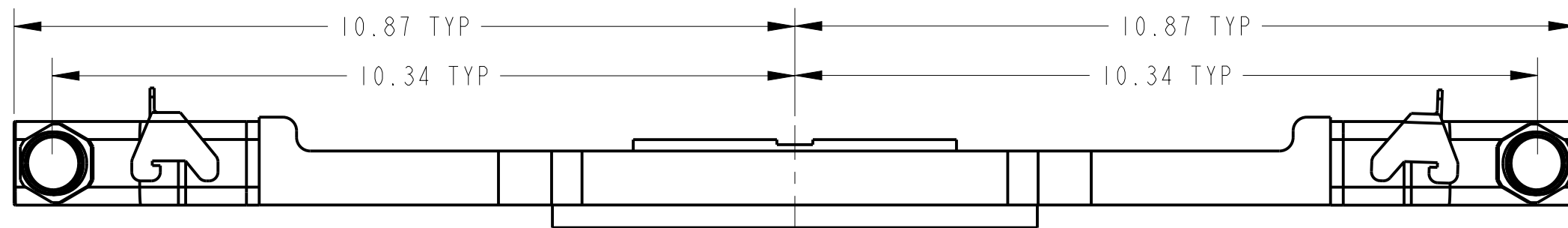
CODE 5 TERMINATION: M
CODE 1 MODEL: DT6
MS CONNECTOR



CODE 5 TERMINATION: B
CODE 1 MODEL: DT6
CONDUIT BOX

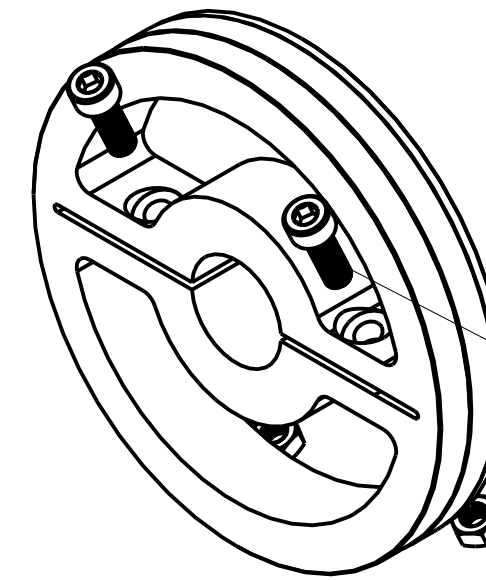


CODE 5 TERMINATION: D
CODE 1 MODEL: DT6
LATCHING CONNECTOR



CODE 5 TERMINATION: E
CODE 1 MODEL: DT6
LATCHING CONNECTOR

CLAMP WHEEL



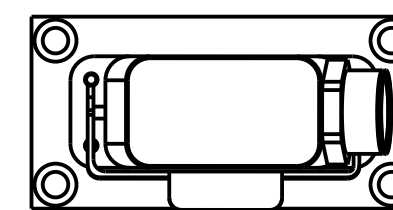
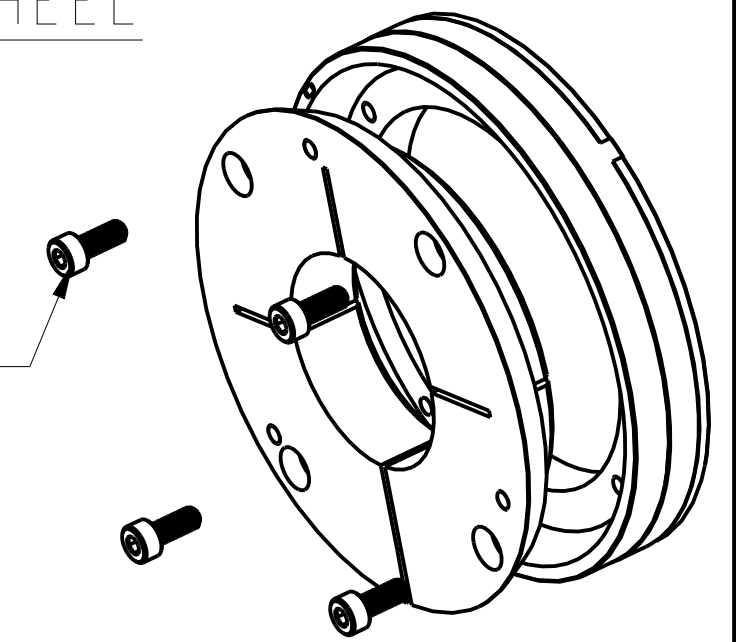
SIZE OF BORE RANGES FROM
0.500" TO 1.500"

2X M5 X 0.8 SCREWS
TIGHTENING TORQUE 23 IN-LBS (2.6 N-M)

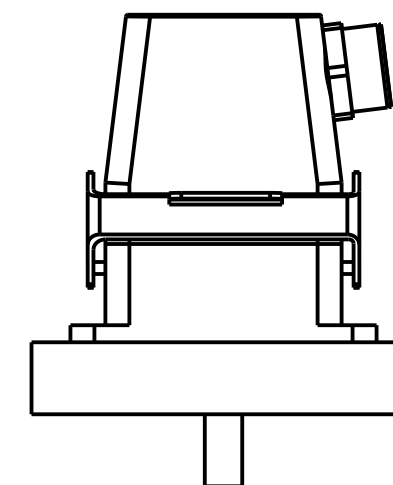
COLLET WHEEL

SIZE OF BORE RANGES FROM
1.625" TO 2.875"

4X M4 X 0.7 SCREWS
TIGHTENING TORQUE 21 IN-LBS (2.3 N-M)



CODE 5 TERMINATION: Q
CODE 1 MODEL: DT6
LATCHING CONNECTOR
ON 18" PIGTAIL CABLE

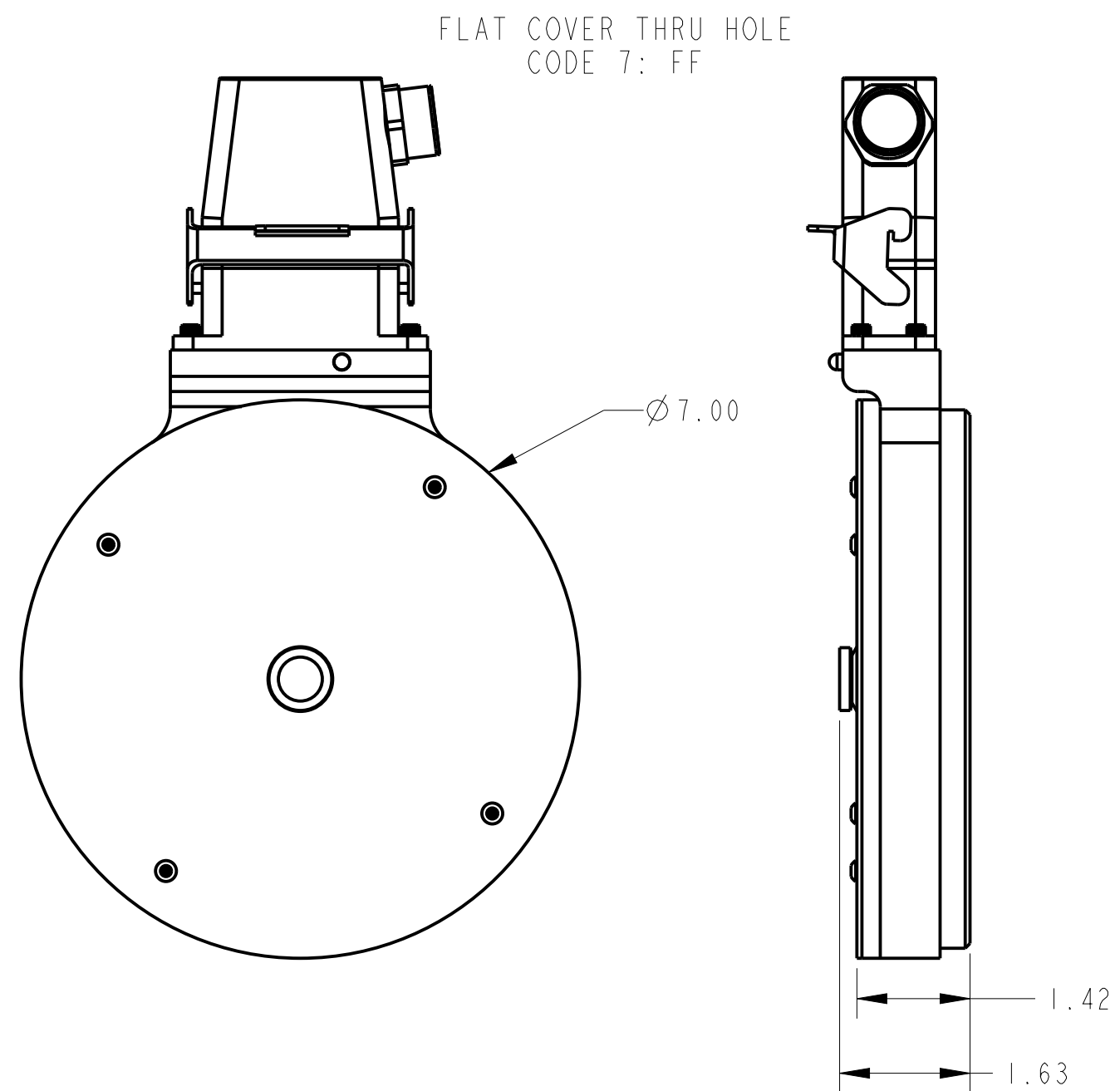
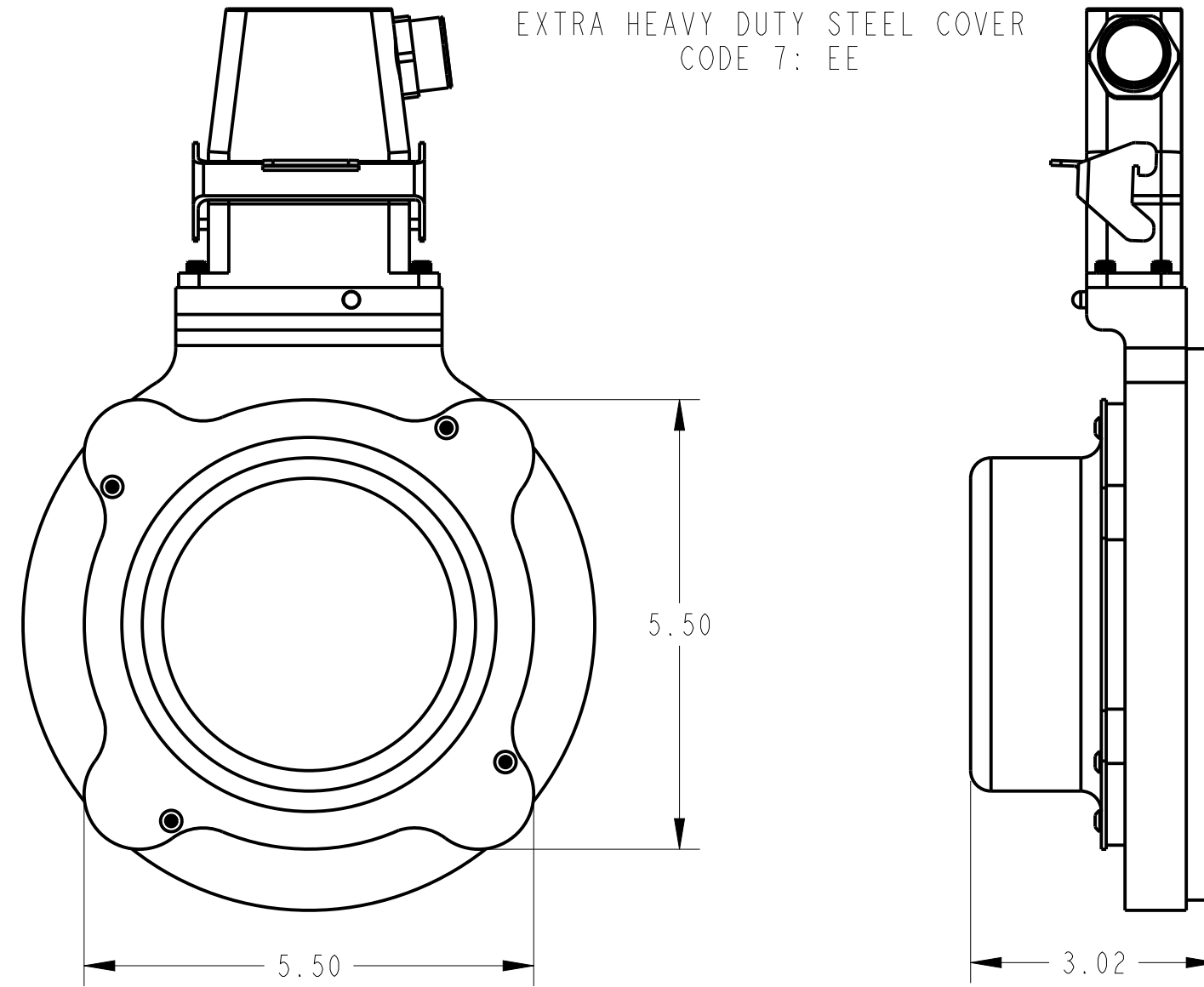
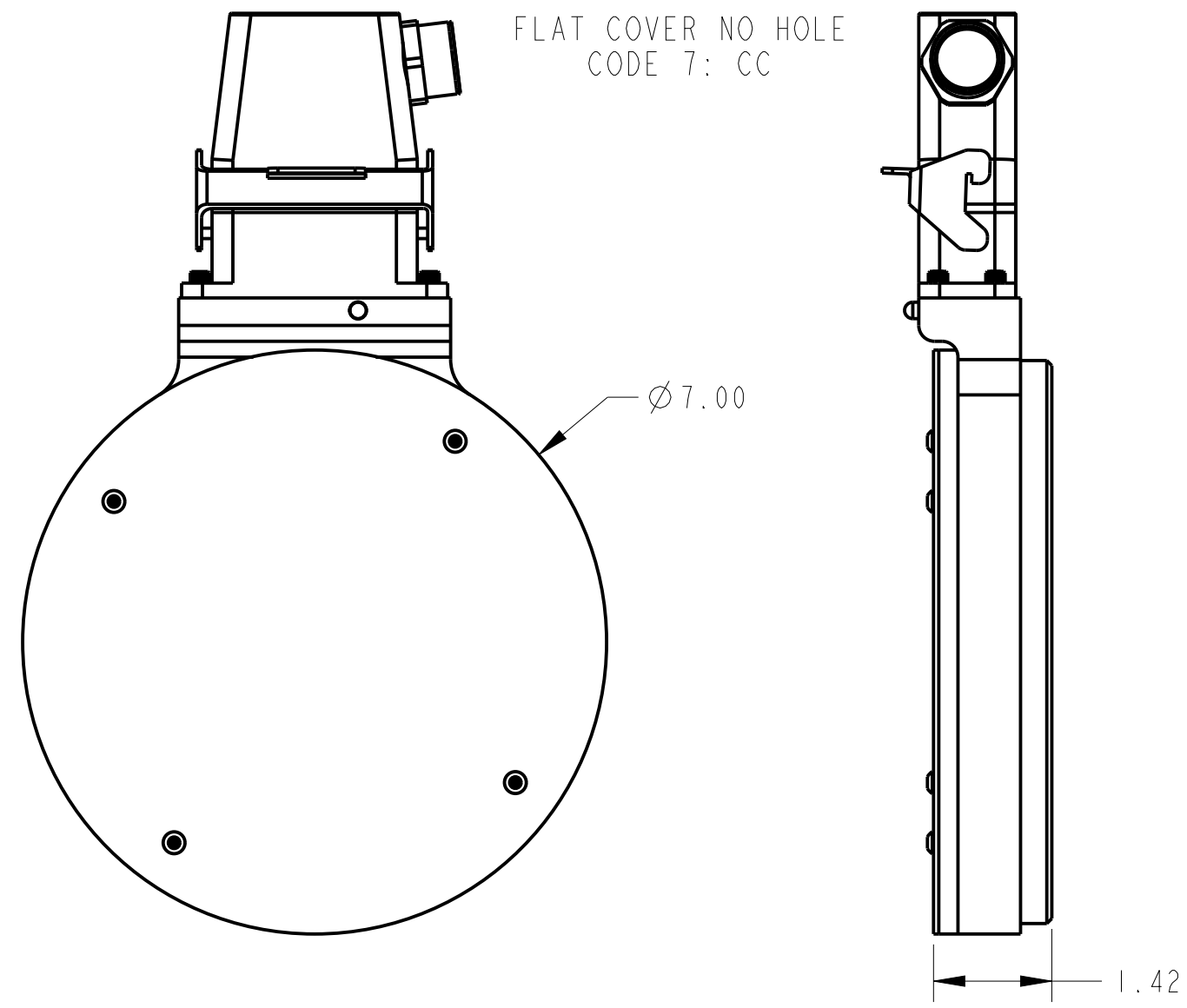


TOLERANCES UNLESS INDICATED:		UNITS: INCH	TITLE CUSTOMER DRAWING, ST67	
.XXX	.XX	ANGLES	FILE NAME:	SCALE:
± .005	± .01	1/2°	703062-0001	/
		FINISH:	DRAWN:	DATE:
			AJ	11/20/12
			CHECKED:	DATE:
			RELEASED:	DATE:
			AJ	11/20/12
			DRAWING NUMBER	COMPLIANCE REQUIRED
			703062-0001	<input type="checkbox"/> UL <input type="checkbox"/> CSA <input type="checkbox"/> CE <input type="checkbox"/> TUV
			30F4	<input type="checkbox"/> FCC <input type="checkbox"/> VCCI <input checked="" type="checkbox"/> RoHS <input type="checkbox"/> ATEX
			A	PRO/E MODEL: 703062-0001
				APPLICATION: ST67
				DRAWING NUMBER
				703062-0001
				REV
				30F4 A



COVER OPTIONS CODE 7

REV	ECN	DATE	APPROVED



TOLERANCES UNLESS INDICATED:		UNITS: INCH	TITLE CUSTOMER DRAWING, ST67	
.XXX	.XX	ANGLES	FILE NAME:	SCALE:
±	±	±	703062-0001	/
.005	.01	1/2°	DRAWN:	DATE:
			AJ	11/20/12
FINISH:			CHECKED:	DATE:
© 2012 D.T.C.		"C" SIZE	RELEASED:	DATE:
DYNAPAR™			AJ	11/20/12
			DRAWING NUMBER	COMPLIANCE REQUIRED
			703062-0001	<input type="checkbox"/> UL <input type="checkbox"/> CSA <input type="checkbox"/> CE <input type="checkbox"/> TUV
			40F4	<input type="checkbox"/> FCC <input type="checkbox"/> VCCI <input checked="" type="checkbox"/> RoHS <input type="checkbox"/> ATEX
			A	PRO/E MODEL: 703062-0001
				APPLICATION: ST67
				DRAWING NUMBER
				703062-0001
				REV
				40F4
				A