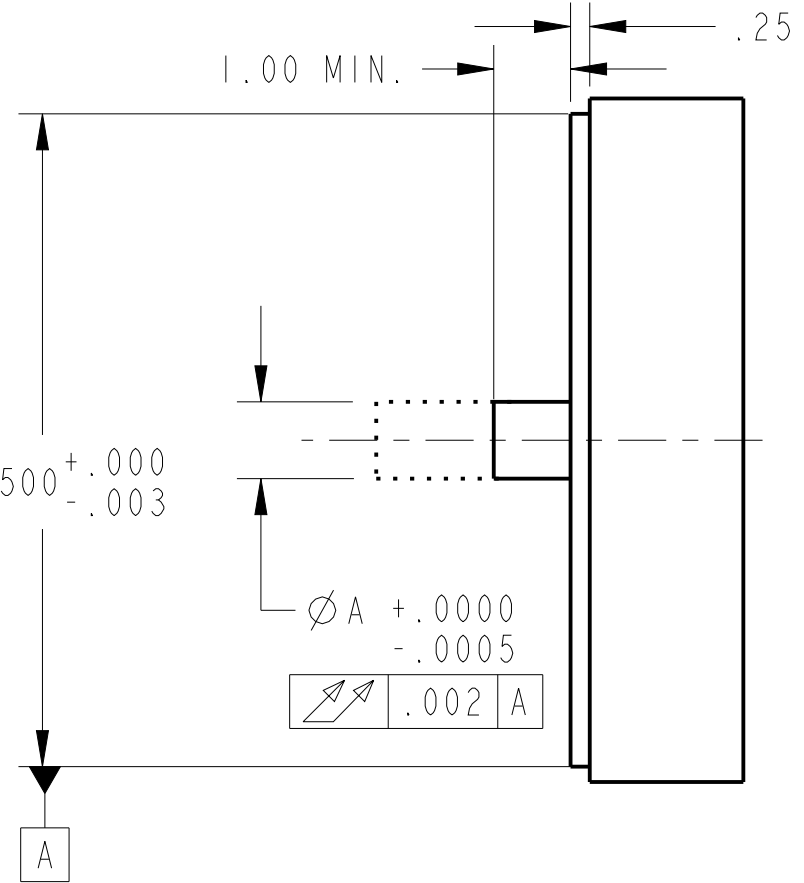
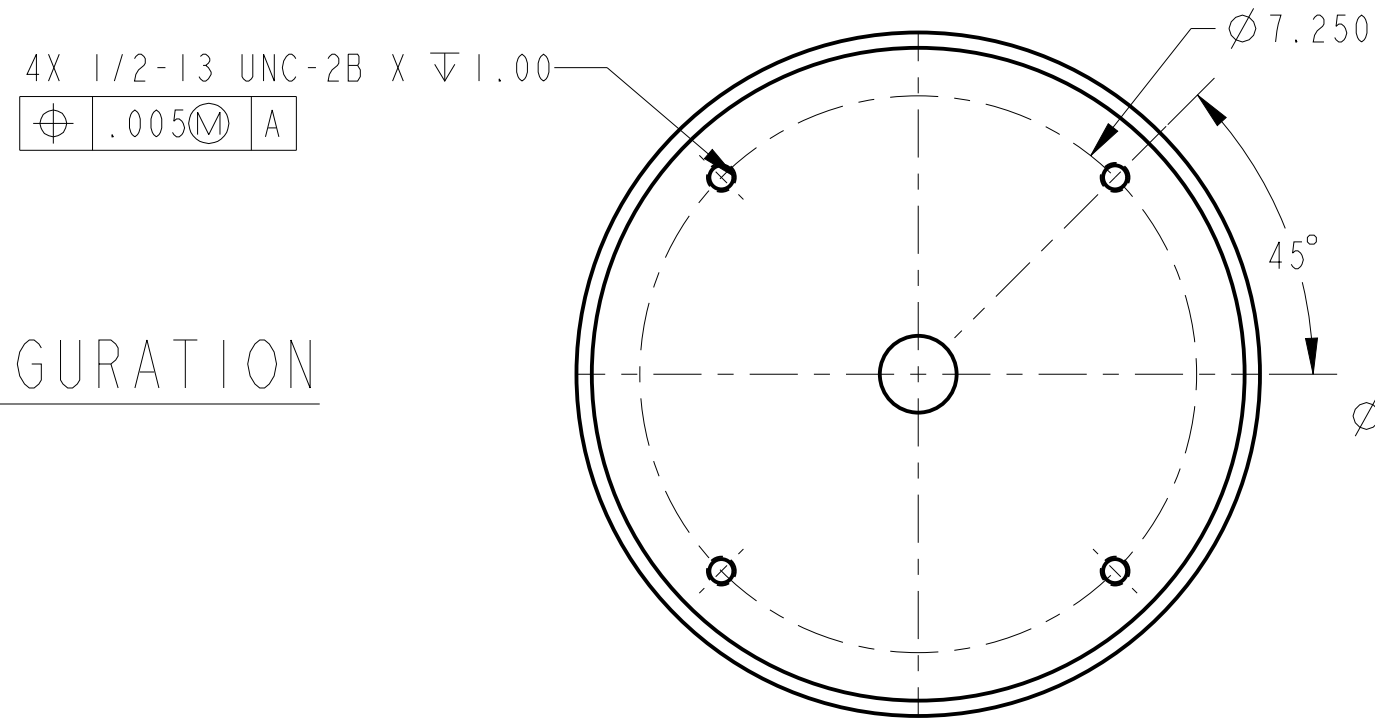
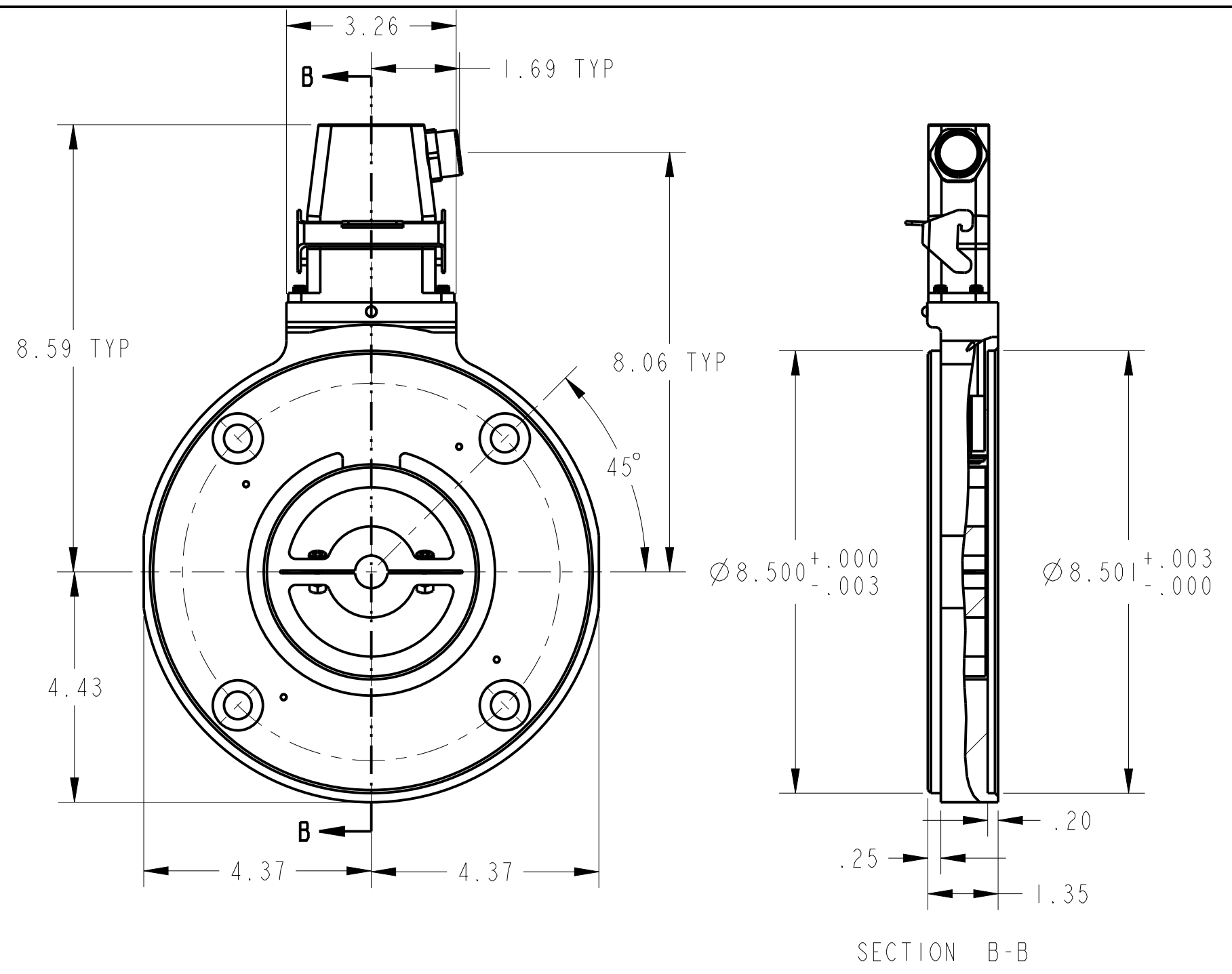


REV	ECN	DATE	APPROVED
A	33497	06/26/13	AJ

MOTOR FACE CONFIGURATION



SIZE OF "A" RANGES FROM
0.500" TO 2.875"
ADDITIONAL SHAFT SIZES
AVAILABLE INCLUDING METRIC



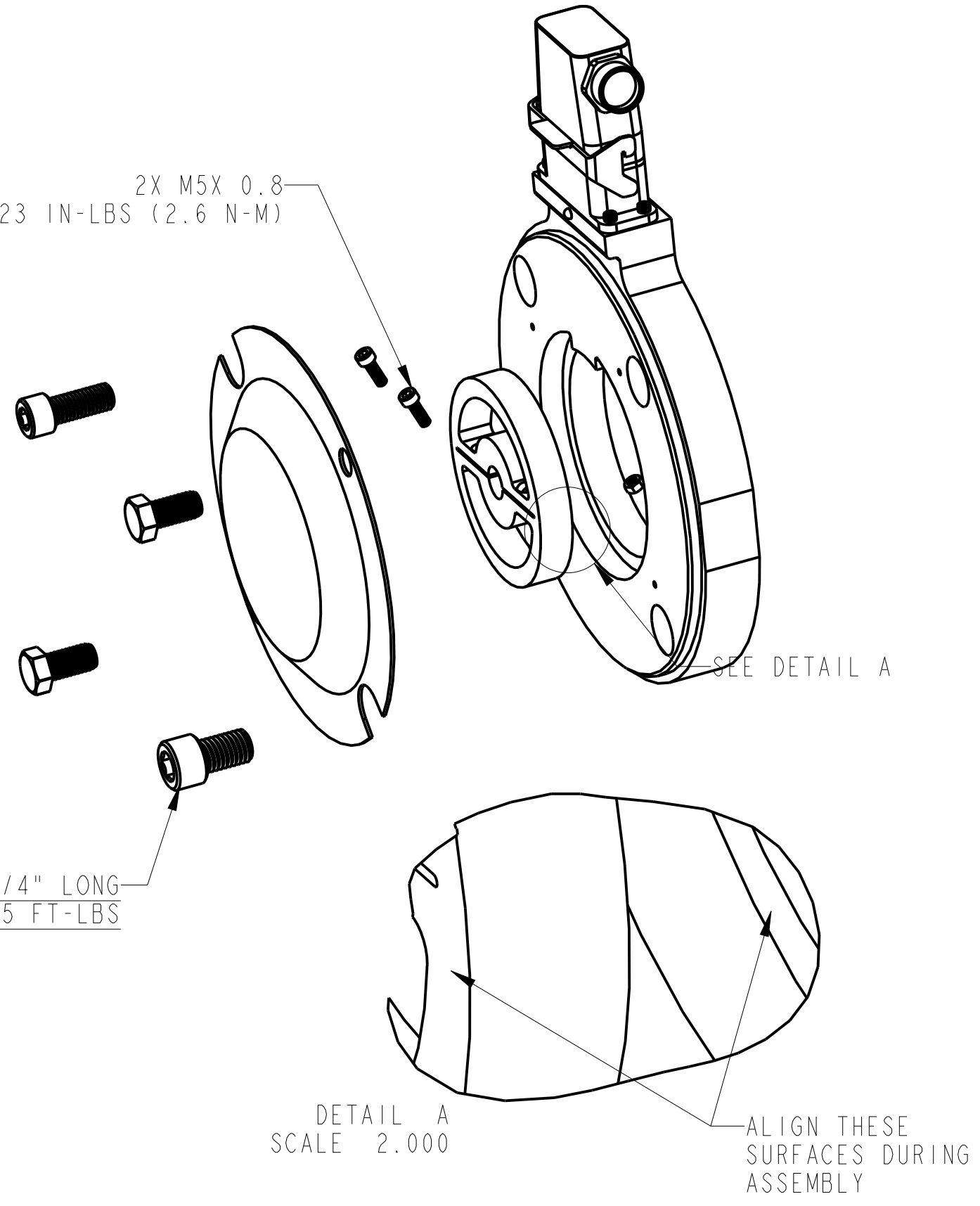
SECTION B-B

ELECTRICAL CONNECTIONS

SIGNAL	INDUSTRIAL CONNECTOR	PIGTAIL CABLE	MS CONNECTOR	TERMINAL STRIP
GND	1	BLACK	F	1
B	2	GREEN	B	5
A	3	BLUE	A	3
Z	4	VIOLET	C	7
NO CONNECTION	5	-	E	9
+Vs	6	RED	D	2
B/	7	YELLOW	J	6
A/	8	GRAY	H	4
Z/	9	ORANGE	K	8
SHLD	-	BRAID	-	-

TIGHTENING TORQUE 23 IN-LBS (2.6 N-M)

2X 1/2-13 X 1-1/4" LONG
TIGHTENING TORQUE 85 FT-LBS

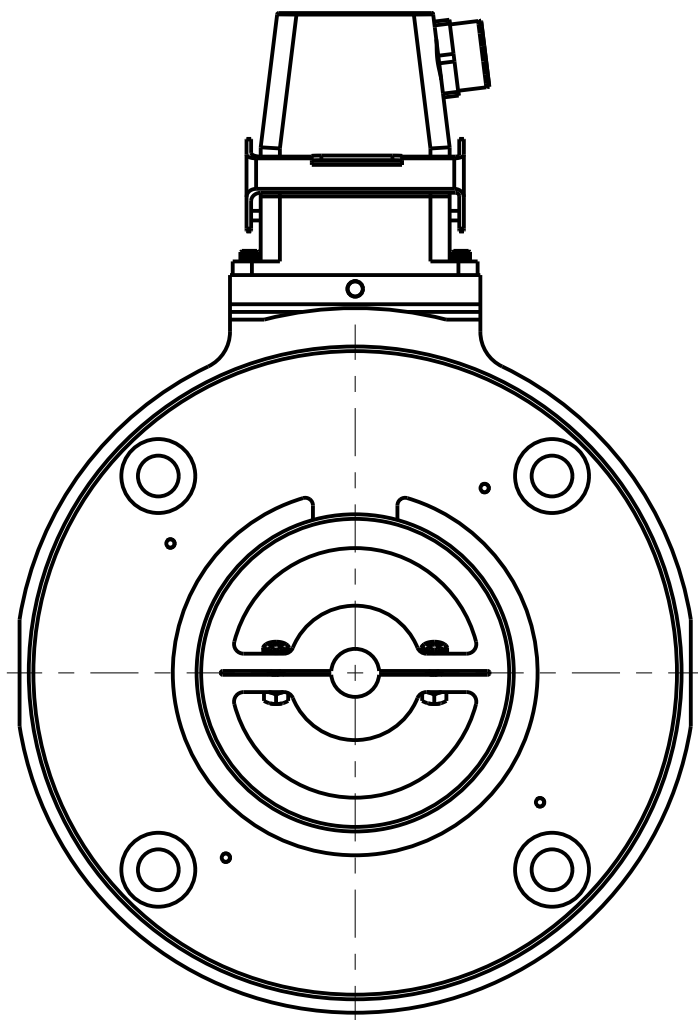


TOLERANCES UNLESS INDICATED:		UNITS: INCH	TITLE CUSTOMER DRAWING, ST85	
.XXX	.XX	MATERIAL:	FILE NAME:	SCALE:
± .005	± .01		703061-0001	/
ANGLES	1/2°	FINISH:	DATE:	COMPLIANCE REQUIRED
		/	11/20/12	<input type="checkbox"/> UL <input type="checkbox"/> CSA <input type="checkbox"/> CE <input type="checkbox"/> TUV
© 2012 D.T.C. "C" SIZE			CHECKED:	PRO/E MODEL: 703061-0001
DYNAPAR™			DATE:	APPLICATION: ST85
			11/20/12	DRAWING NUMBER
			RELEASED:	703061-0001 10F5 A
			AJ	REV

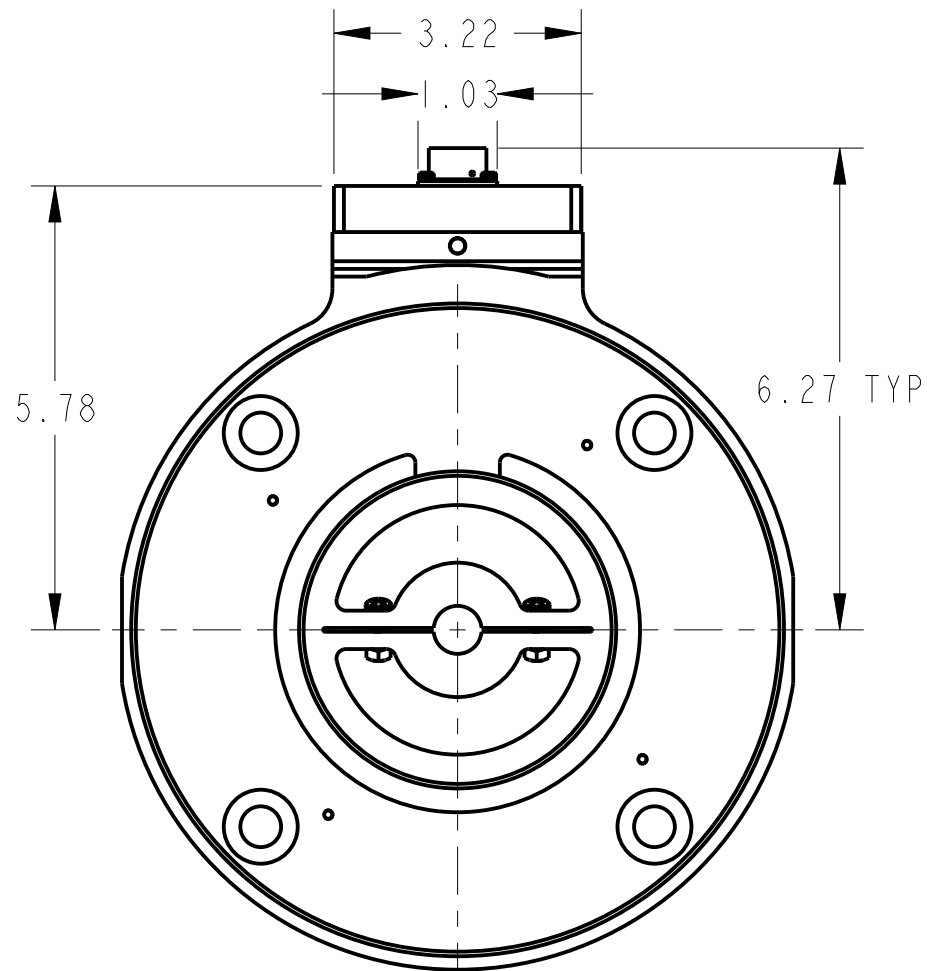
STANDARD HOUSING - DUAL C-FACE

REV	ECN	DATE	APPROVED

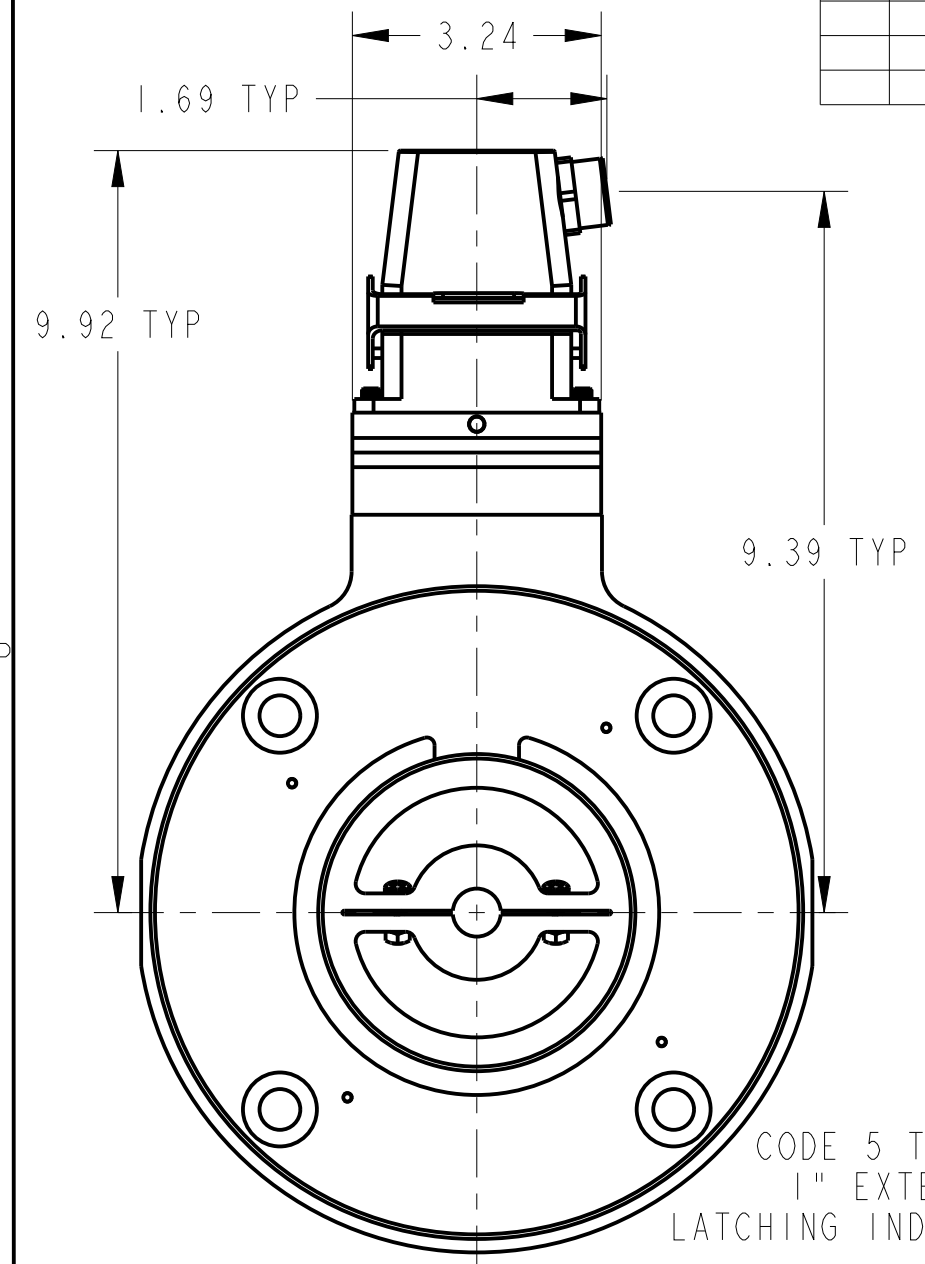
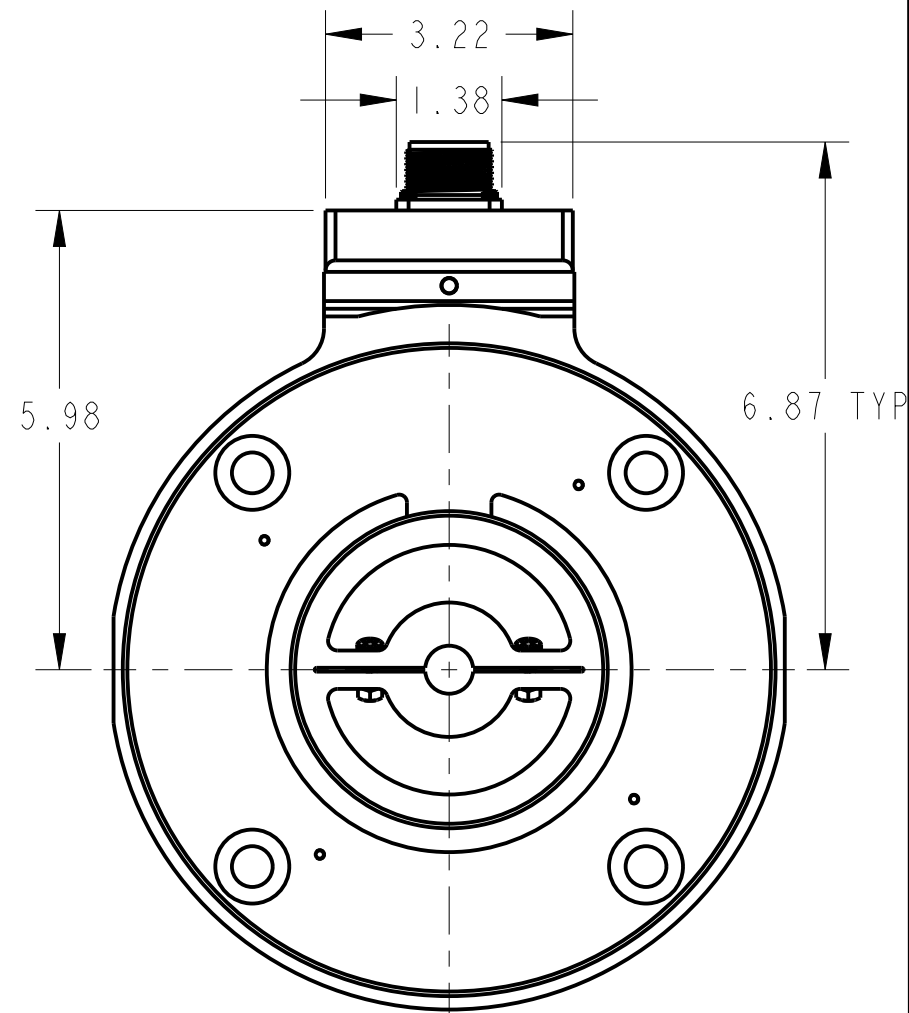
CODE 5 TERMINATION: C
LATCHING INDUSTRIAL
CONNECTOR



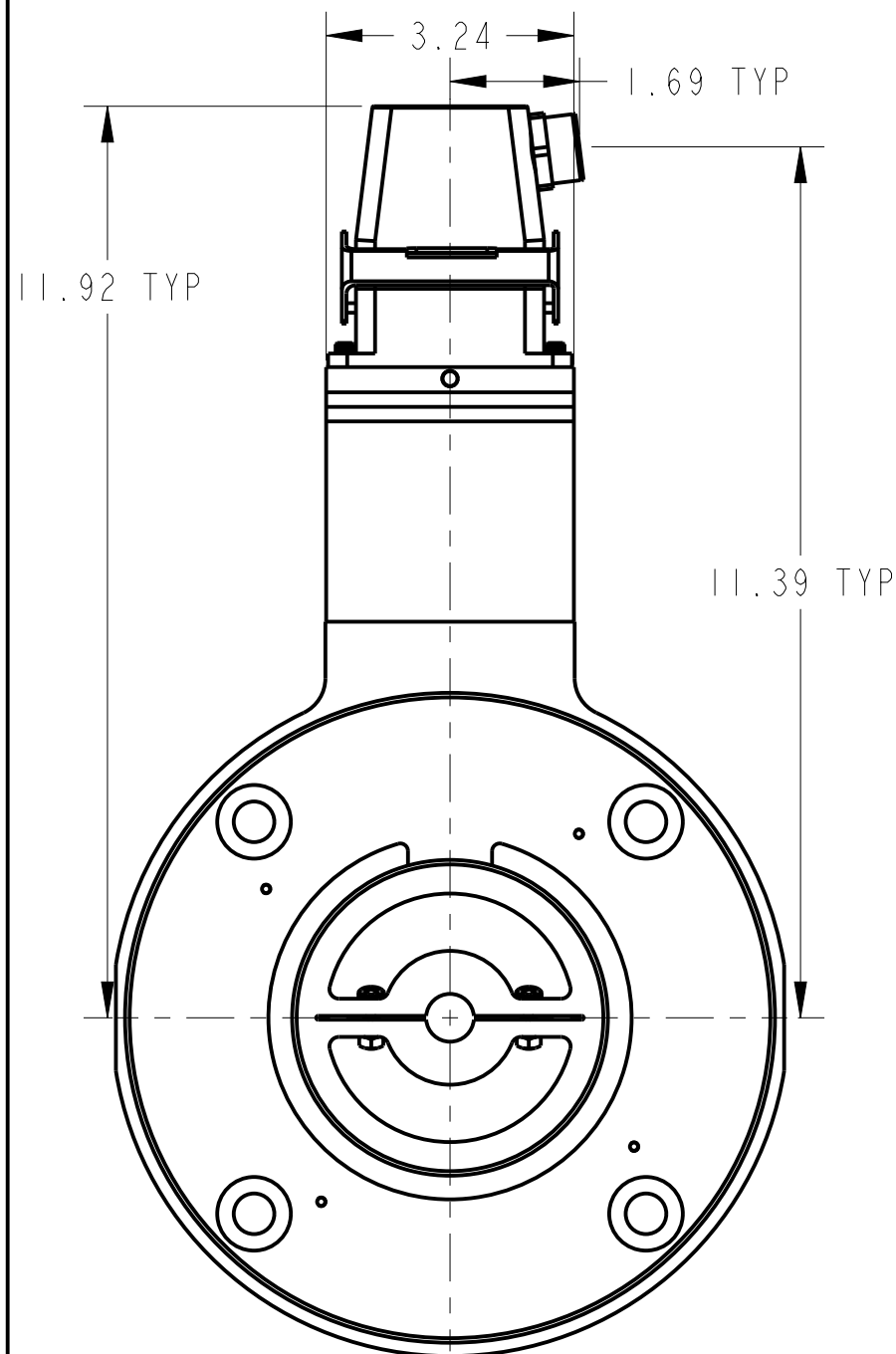
CODE 5 TERMINATION: N
10 PIN MS 3112
CONNECTOR



CODE 5 TERMINATION: M
10 PIN MS
CONNECTOR

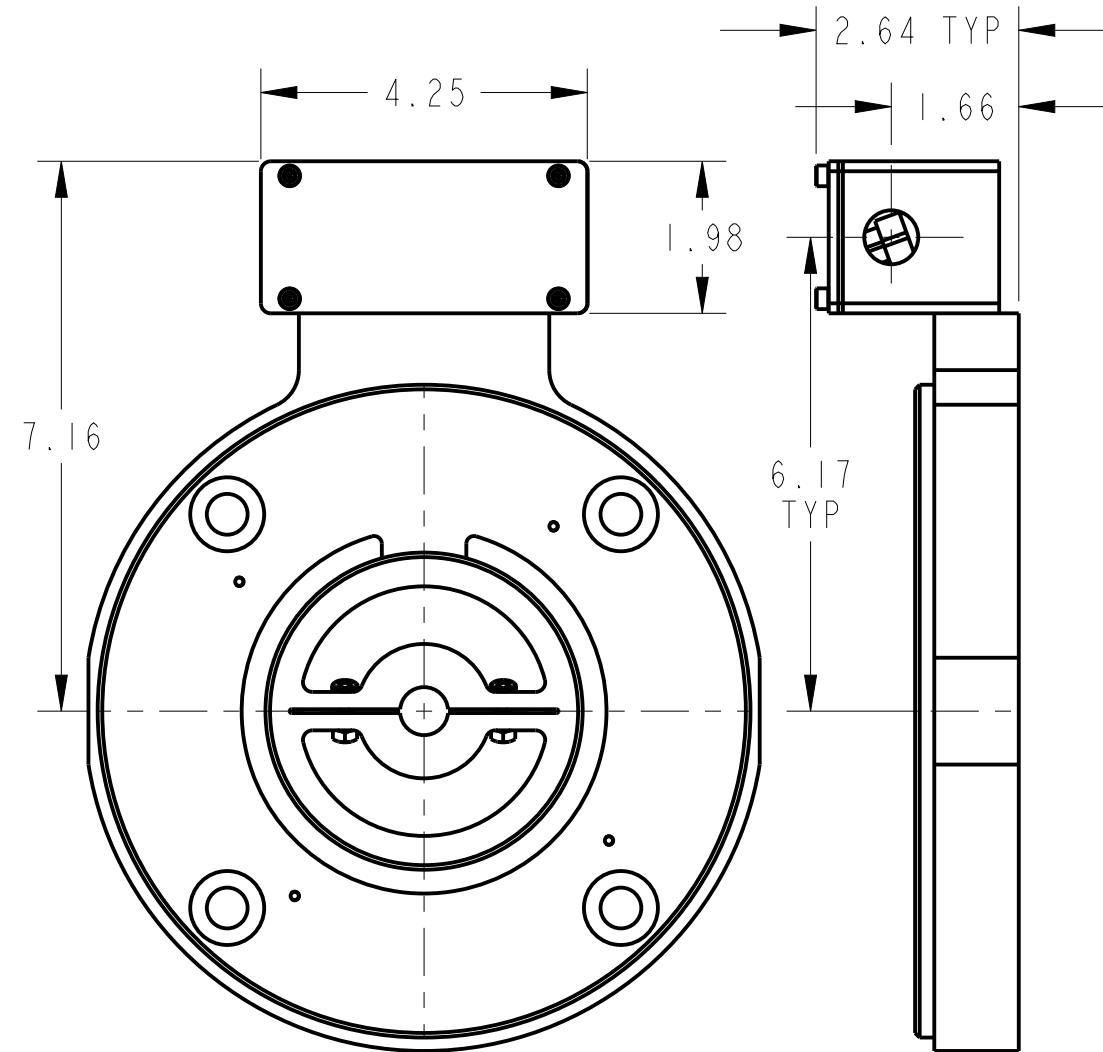


CODE 5 TERMINATION: D
1" EXTENDED HEIGHT
LATCHING INDUSTRIAL CONNECTOR

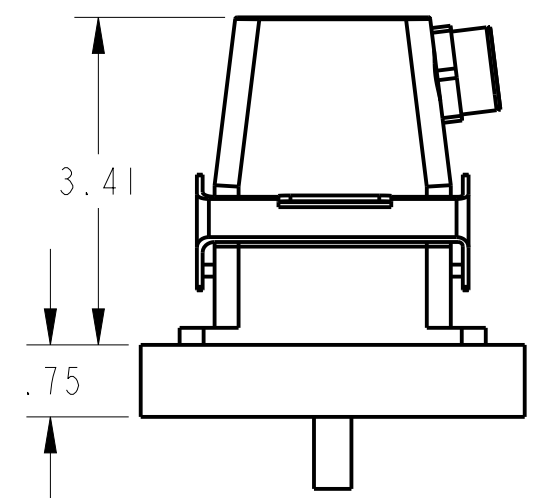
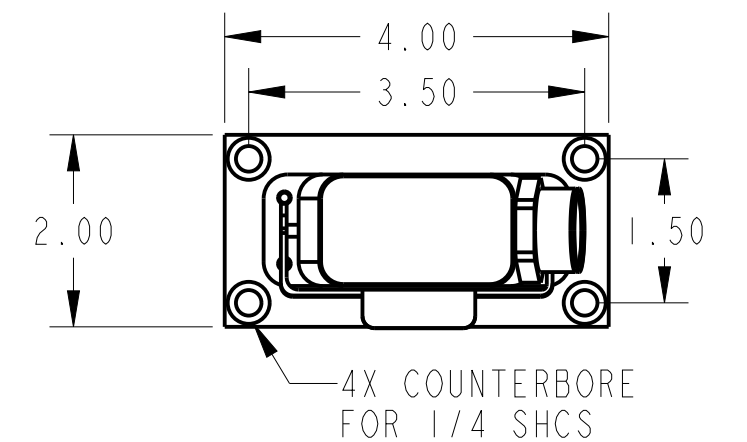
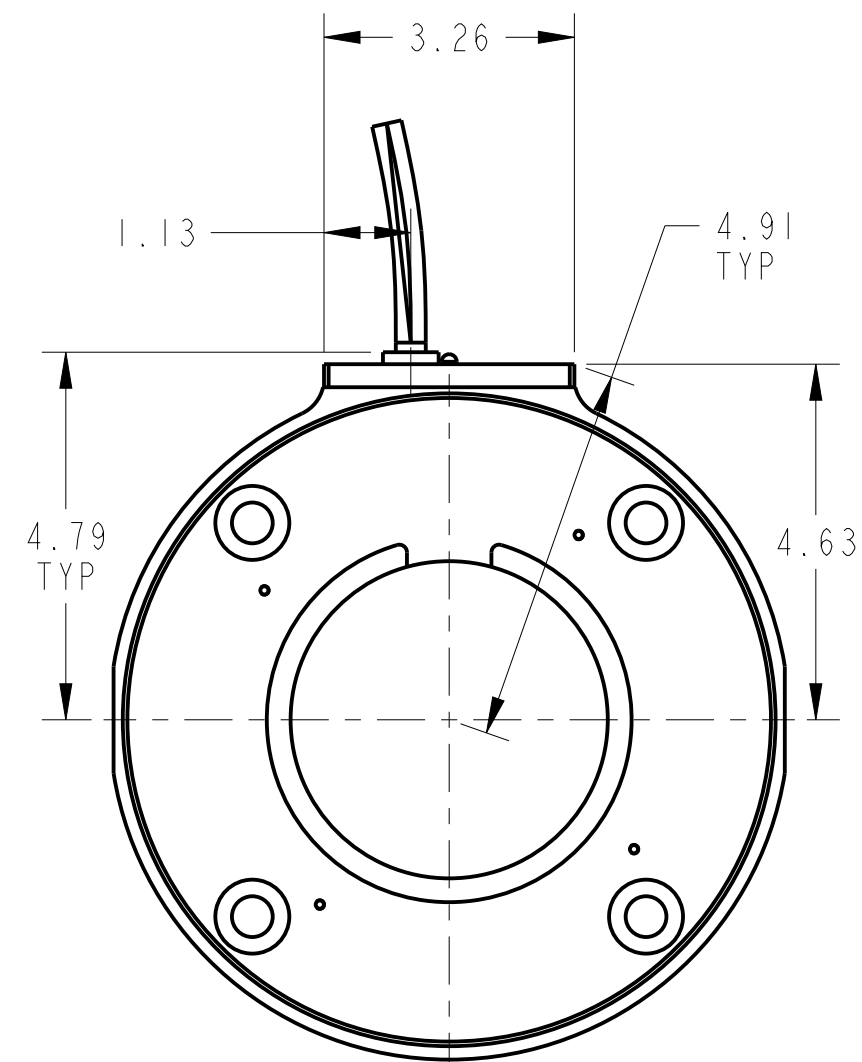


CODE 5 TERMINATION: E
3" EXTENDED HEIGHT
LATCHING INDUSTRIAL CONNECTOR

CODE 5 TERMINATION: B
CONDUIT BOX



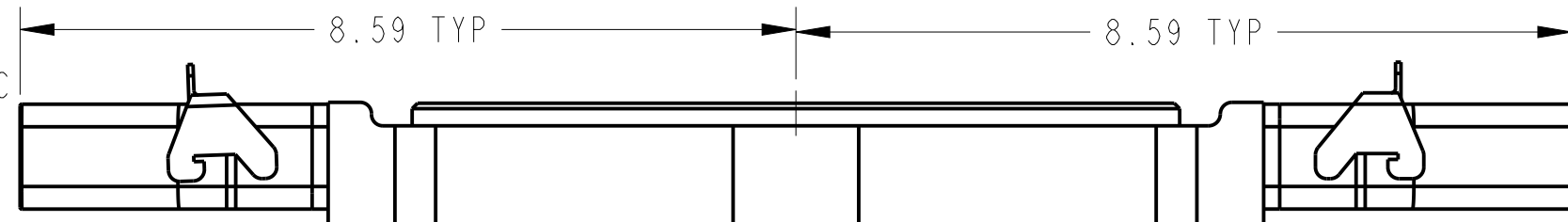
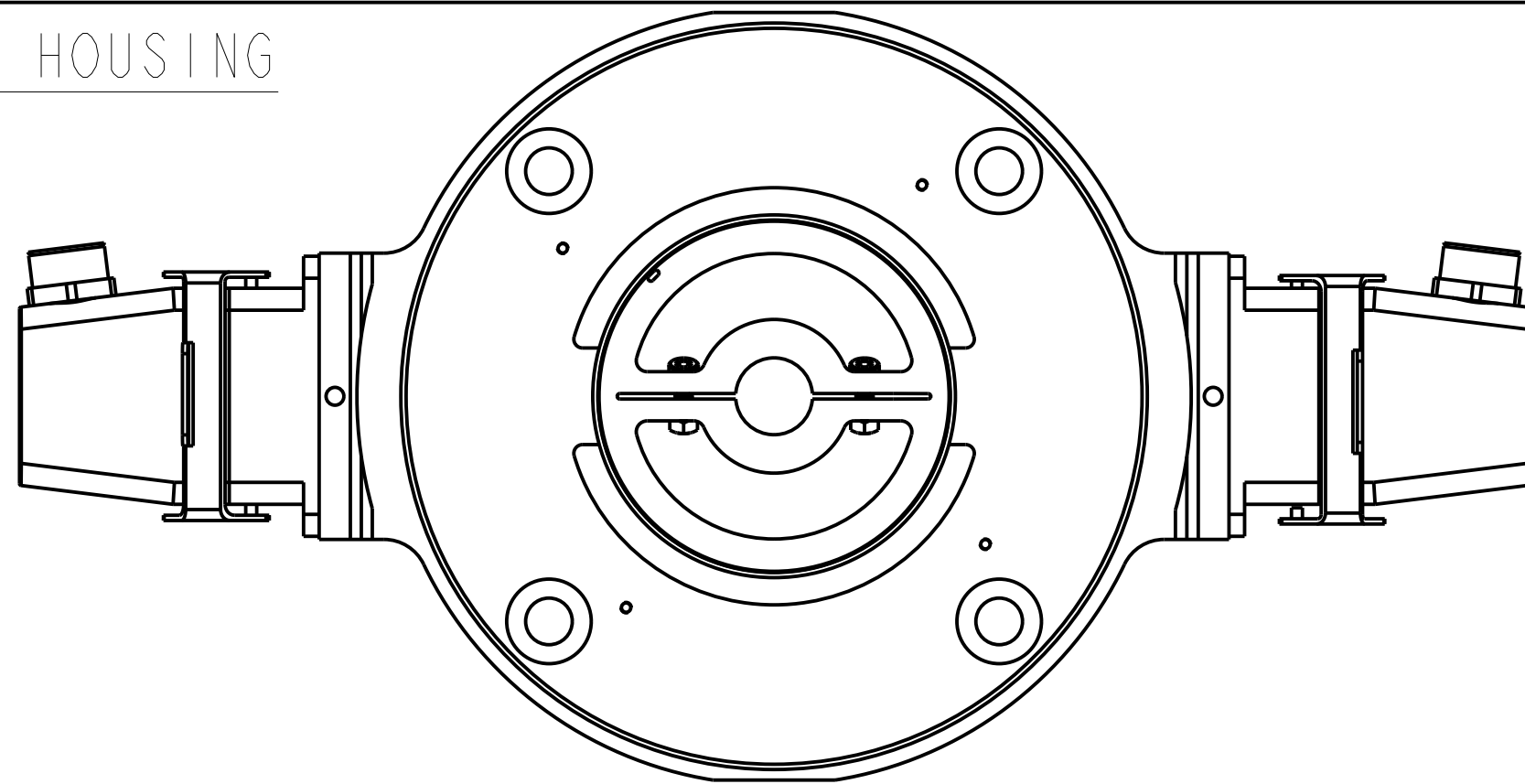
CODE 5 TERMINATION: P
18" PIGTAIL CABLE



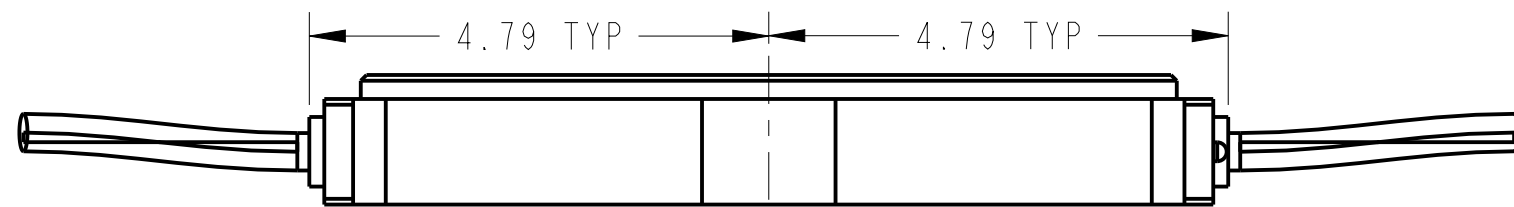
CODE 5 TERMINATION: Q
LATCHING CONNECTOR
ON 18" PIGTAIL CABLE

TOLERANCES UNLESS INDICATED:		UNITS: INCH		TITLE CUSTOMER DRAWING, ST85	
.XXX	.XX	ANGLES	MATERIAL:	FILE NAME:	SCALE:
± .005	± .01	± 1/2°	FINISH:	703061-0001	/
© 2012 D.T.C. "C" SIZE			COMPLIANCE REQUIRED	DATE:	11/20/12
DYNAPAR™			<input type="checkbox"/> UL <input type="checkbox"/> CSA <input type="checkbox"/> CE <input type="checkbox"/> TUV	CHECKED:	DATE:
			<input type="checkbox"/> FCC <input type="checkbox"/> VCCI <input checked="" type="checkbox"/> RoHS <input type="checkbox"/> ATEX	RELEASED:	DATE:
			PRO/E MODEL: 703061-0001	AJ	11/20/12
			APPLICATION: ST85	DRAWING NUMBER	
			DRAWING NUMBER	703061-0001 20F5 A	
			REV	AJ	

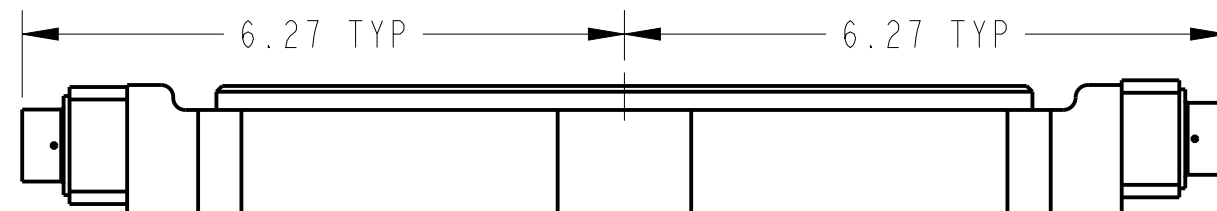
DUAL OUTPUT HOUSING
DUAL C-FACE



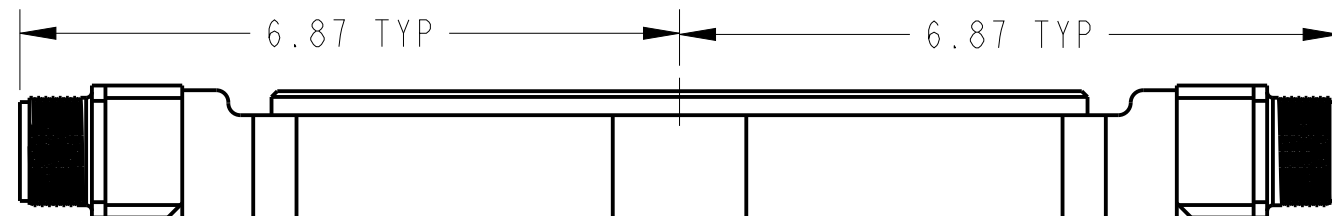
CODE 5 TERMINATION: C
CODE 1 MODEL: DT8
LATCHING CONNECTOR



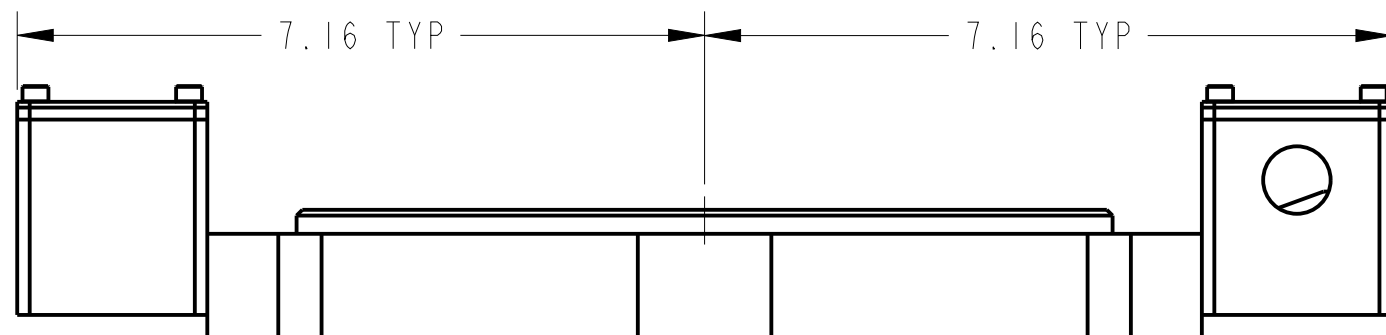
CODE 5 TERMINATION: P
CODE 1 MODEL: DT8
PIGTAIL CABLE



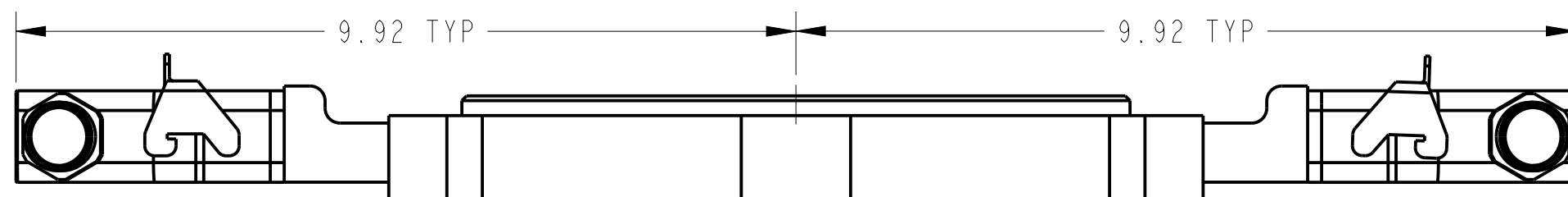
CODE 5 TERMINATION: N
CODE 1 MODEL: DT8
MS 3112 CONNECTOR



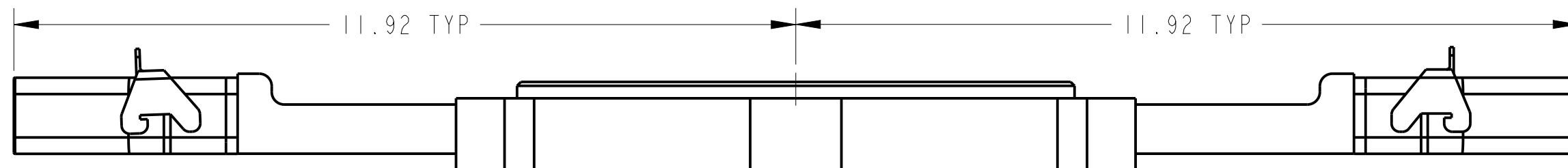
CODE 5 TERMINATION: M
CODE 1 MODEL: DT8
MS CONNECTOR



CODE 5 TERMINATION: B
CODE 1 MODEL: DT8
CONDUIT BOX



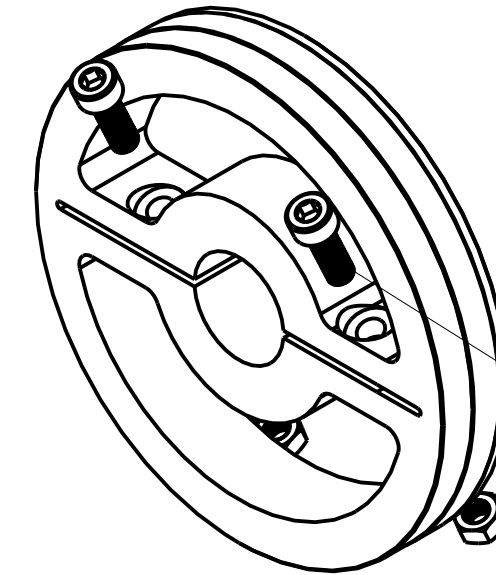
CODE 5 TERMINATION: D
CODE 1 MODEL: DT8
LATCHING CONNECTOR



CODE 5 TERMINATION: E
CODE 1 MODEL: DT8
LATCHING CONNECTOR

REV	ECN	DATE	APPROVED

CLAMP WHEEL



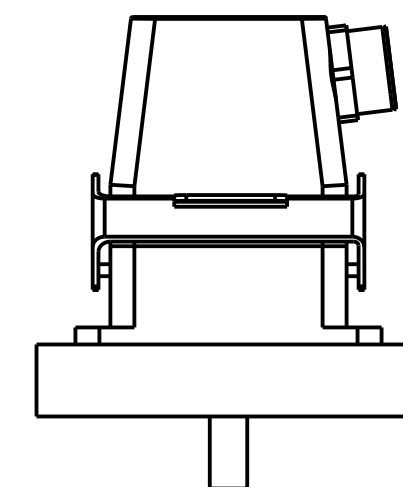
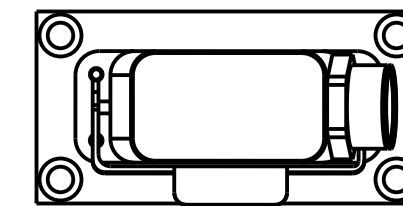
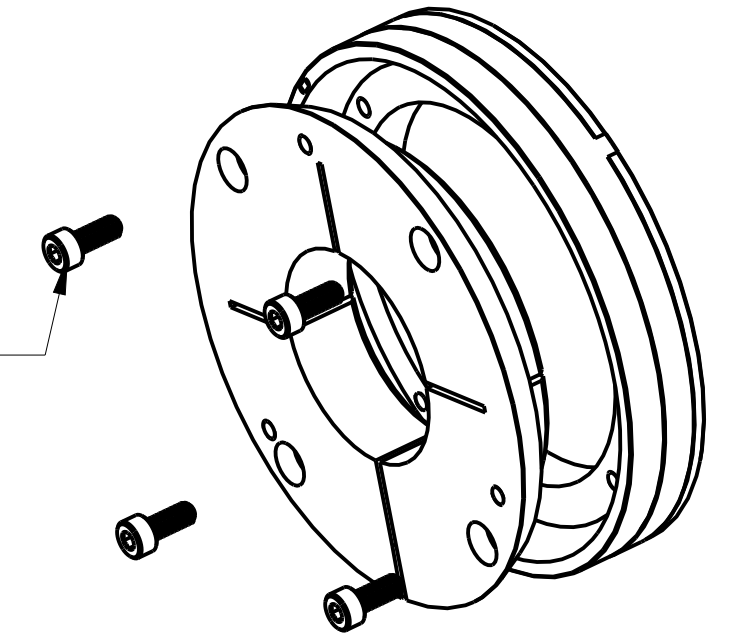
SIZE OF BORE RANGES FROM
0.500" TO 1.500"

2X M5 X 0.8 SCREWS
TIGHTENING TORQUE 23 IN-LBS (2.6 N-M)

COLLET WHEEL

SIZE OF BORE RANGES FROM
1.625" TO 2.875"

4X M4 X 0.7 SCREWS
TIGHTENING TORQUE 21 IN-LBS (2.3 N-M)



CODE 5 TERMINATION: Q
CODE 1 MODEL: DT8
LATCHING CONNECTOR
ON 18" PIGTAIL CABLE

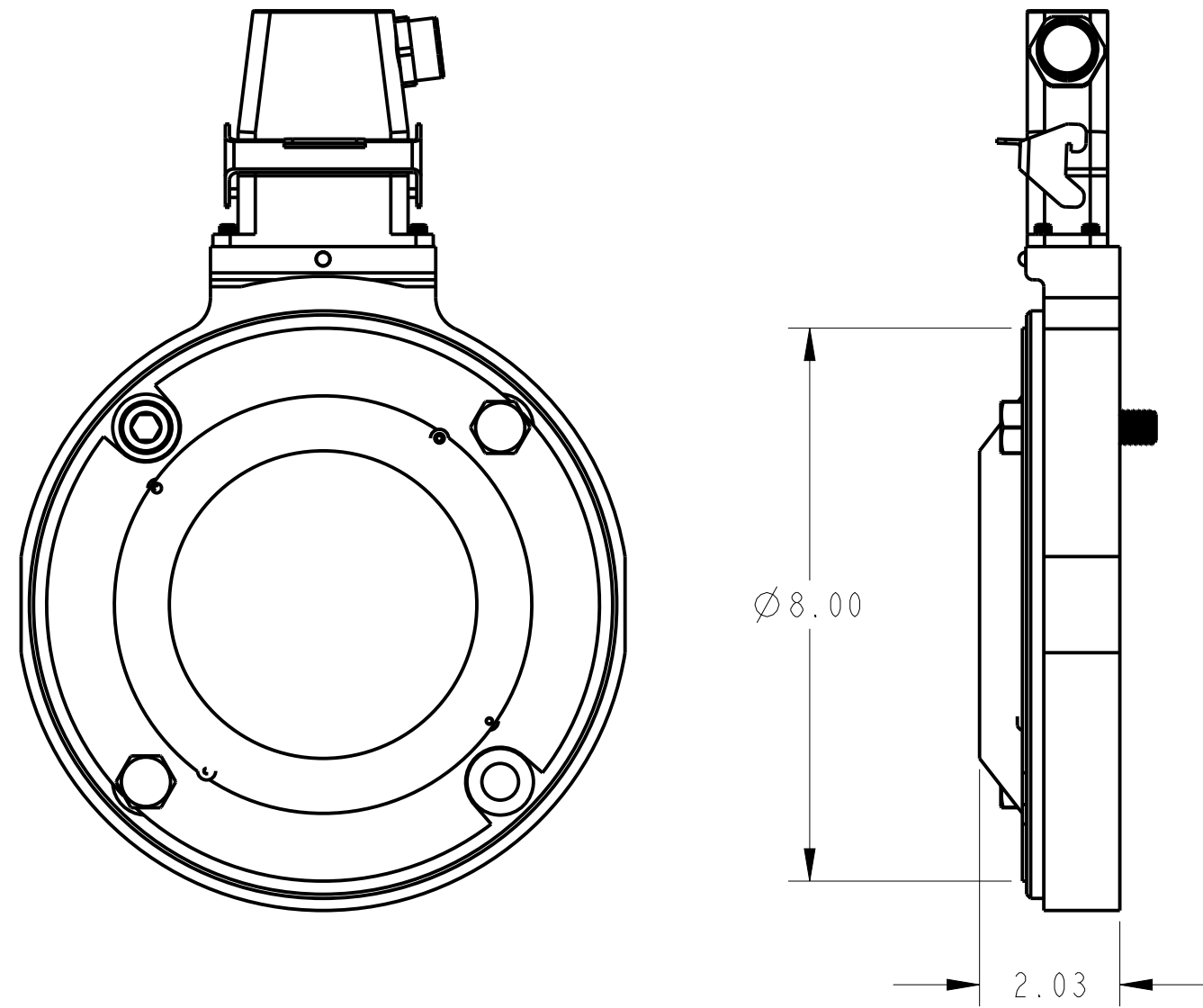
TOLERANCES UNLESS INDICATED:		UNITS: INCH	TITLE CUSTOMER DRAWING, ST85	
.XXX	.XX	ANGLES /	FILE NAME:	SCALE:
± .005	± .01	1/2° /	703061-0001	703061-0001
		FINISH:	DRAWN:	DATE:
			AJ	11/20/12
			CHECKED:	DATE:
			AJ	11/20/12
			RELEASED:	DATE:
			AJ	11/20/12
			COMPLIANCE REQUIRED	
			<input type="checkbox"/> UL <input type="checkbox"/> CSA <input type="checkbox"/> CE <input type="checkbox"/> TUV <input type="checkbox"/> FCC <input type="checkbox"/> VCCI <input checked="" type="checkbox"/> RoHS <input type="checkbox"/> ATEX PRO/E MODEL: 703061-0001 APPLICATION: ST85 DRAWING NUMBER: 703061-0001	
			30F5	REV
			A	A



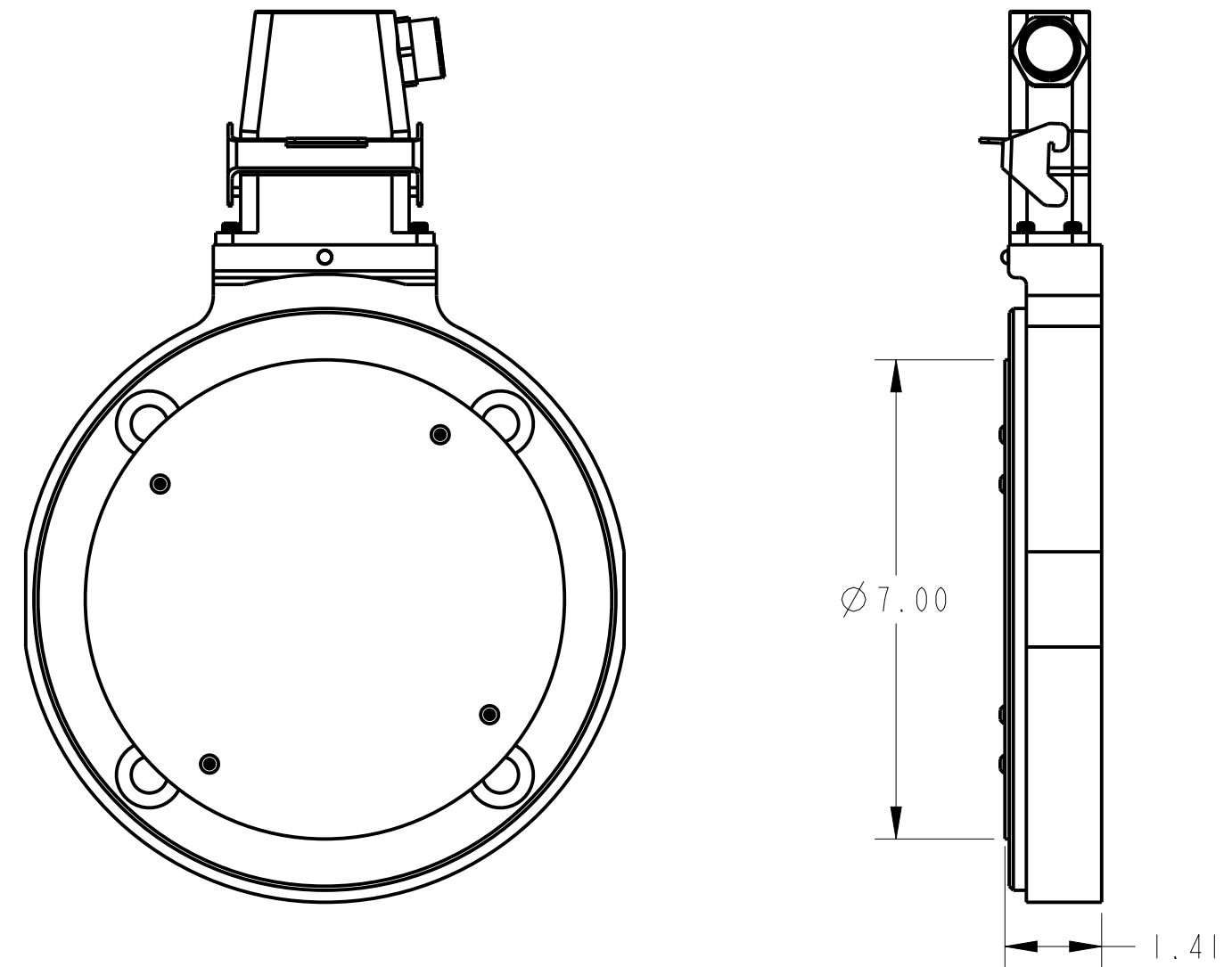
COVER OPTIONS CODE 7

REV	ECN	DATE	APPROVED

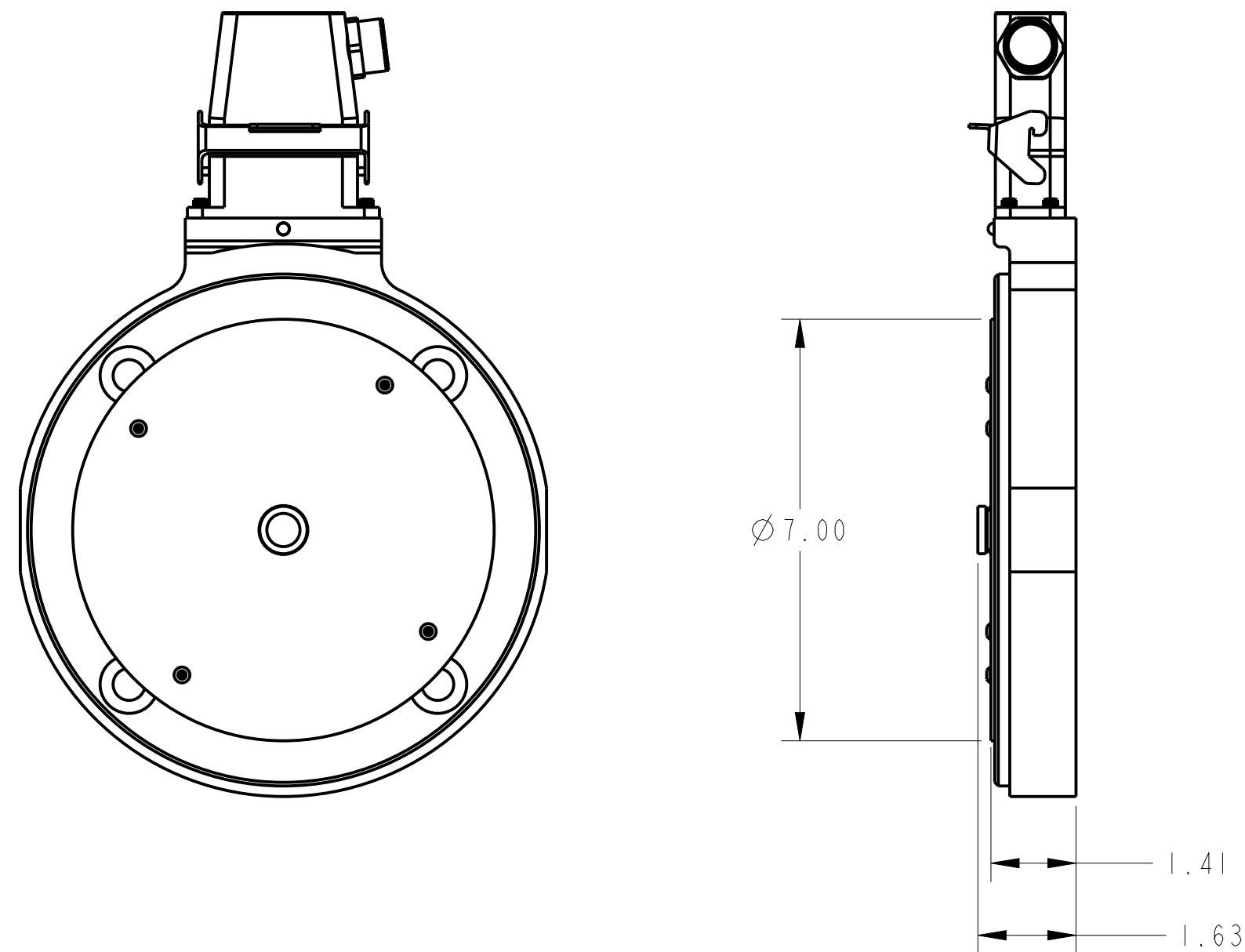
CODE 7 COVER/ADAPTER: PP
EXTRA HEAVY DUTY STEEL PIE PAN COVER



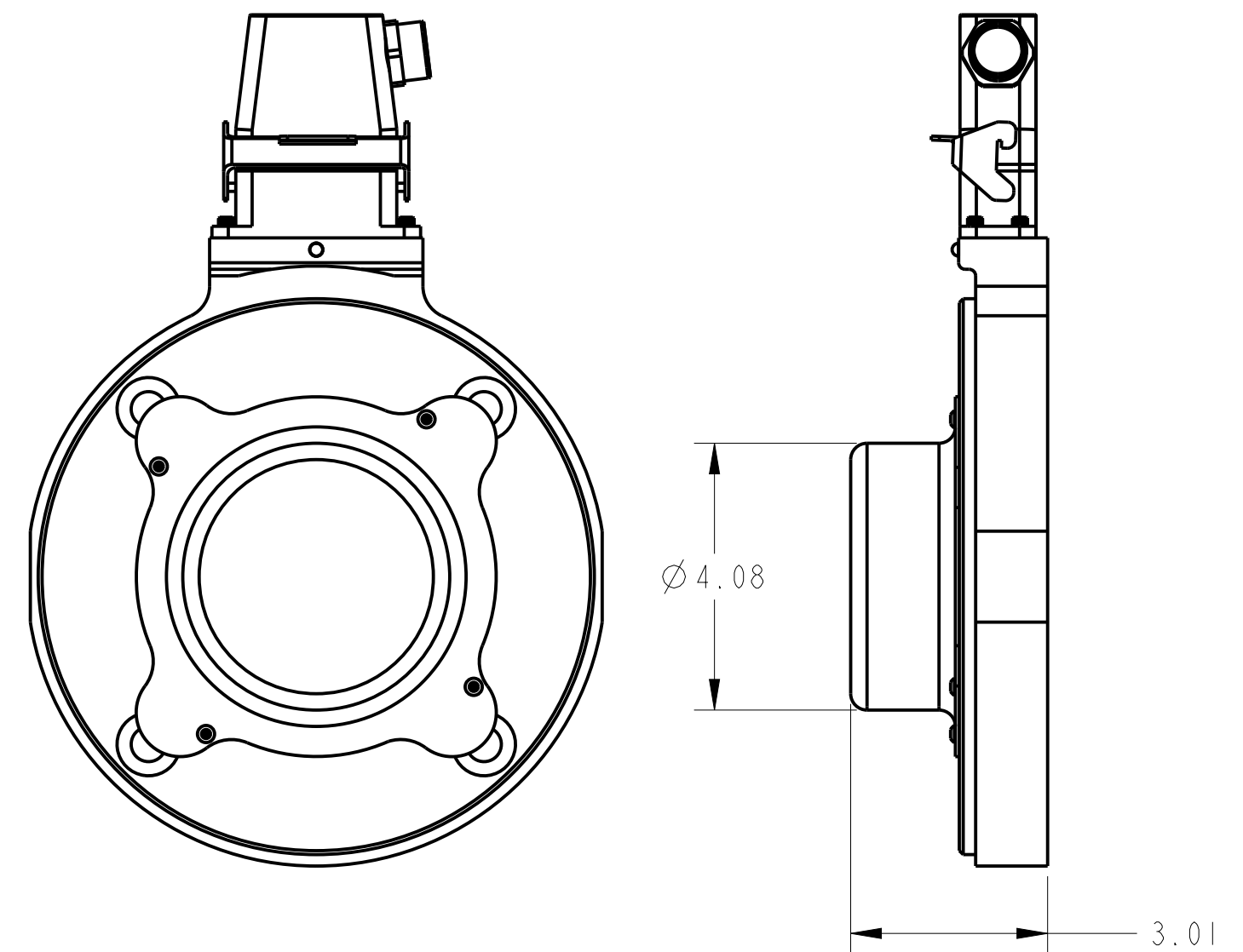
CODE 7 COVER/ADAPTER: CC
FLAT COVER



CODE 7 COVER/ADAPTER: FF
FLAT THRU HOLE COVER



CODE 7 COVER/ADAPTER: EE
EXTRA HEAVY DUTY STEEL COVER

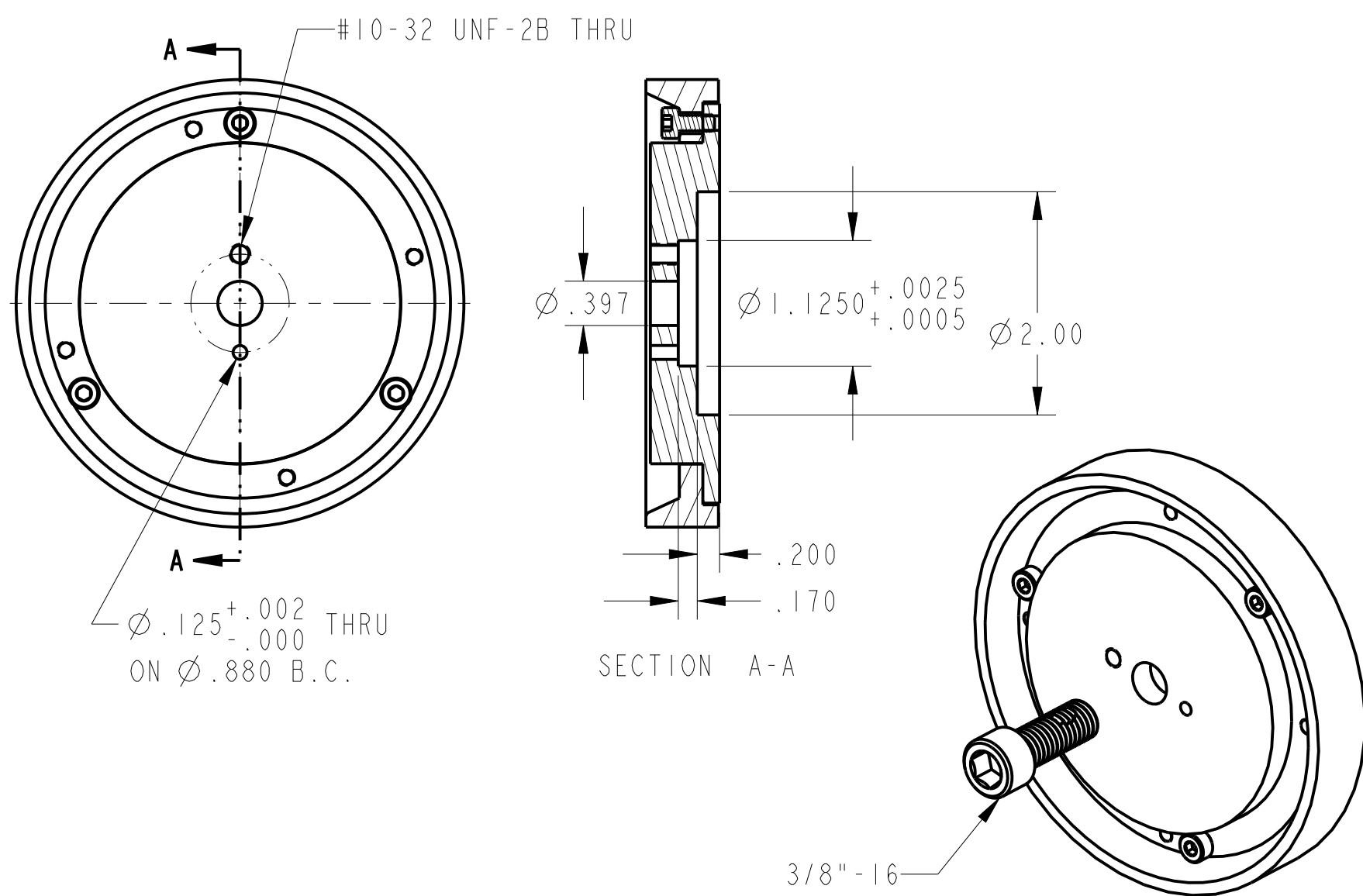


TOLERANCES UNLESS INDICATED:		UNITS: INCH	TITLE CUSTOMER DRAWING, ST85	
.XXX	.XX	ANGLES	FILE NAME:	SCALE:
±.005	±.01	1/2°	703061-0001	/
		FINISH:	DRAWN:	DATE:
			AJ	11/20/12
			CHECKED:	DATE:
			RELEASED:	DATE:
			AJ	11/20/12
			DRAWING NUMBER	COMPLIANCE REQUIRED
			703061-0001	<input type="checkbox"/> UL <input type="checkbox"/> CSA <input type="checkbox"/> CE <input type="checkbox"/> TUV
			40F5	<input type="checkbox"/> FCC <input type="checkbox"/> VCCI <input checked="" type="checkbox"/> RoHS <input type="checkbox"/> ATEX
			A	PRO/E MODEL: 703061-0001
				APPLICATION: ST85
				DRAWING NUMBER
				703061-0001
				REV
				A

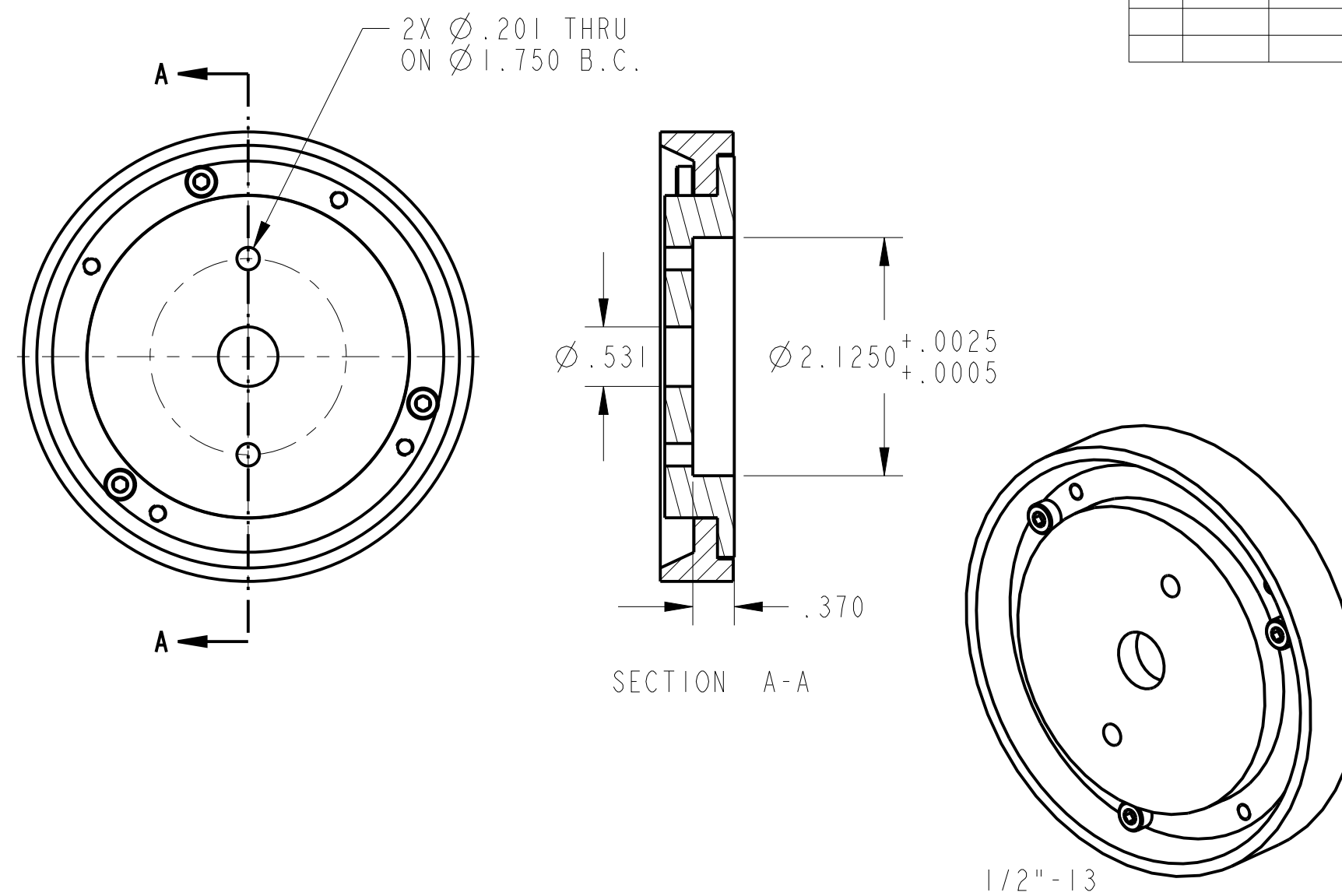


END OF SHAFT OPTIONS CODE 4

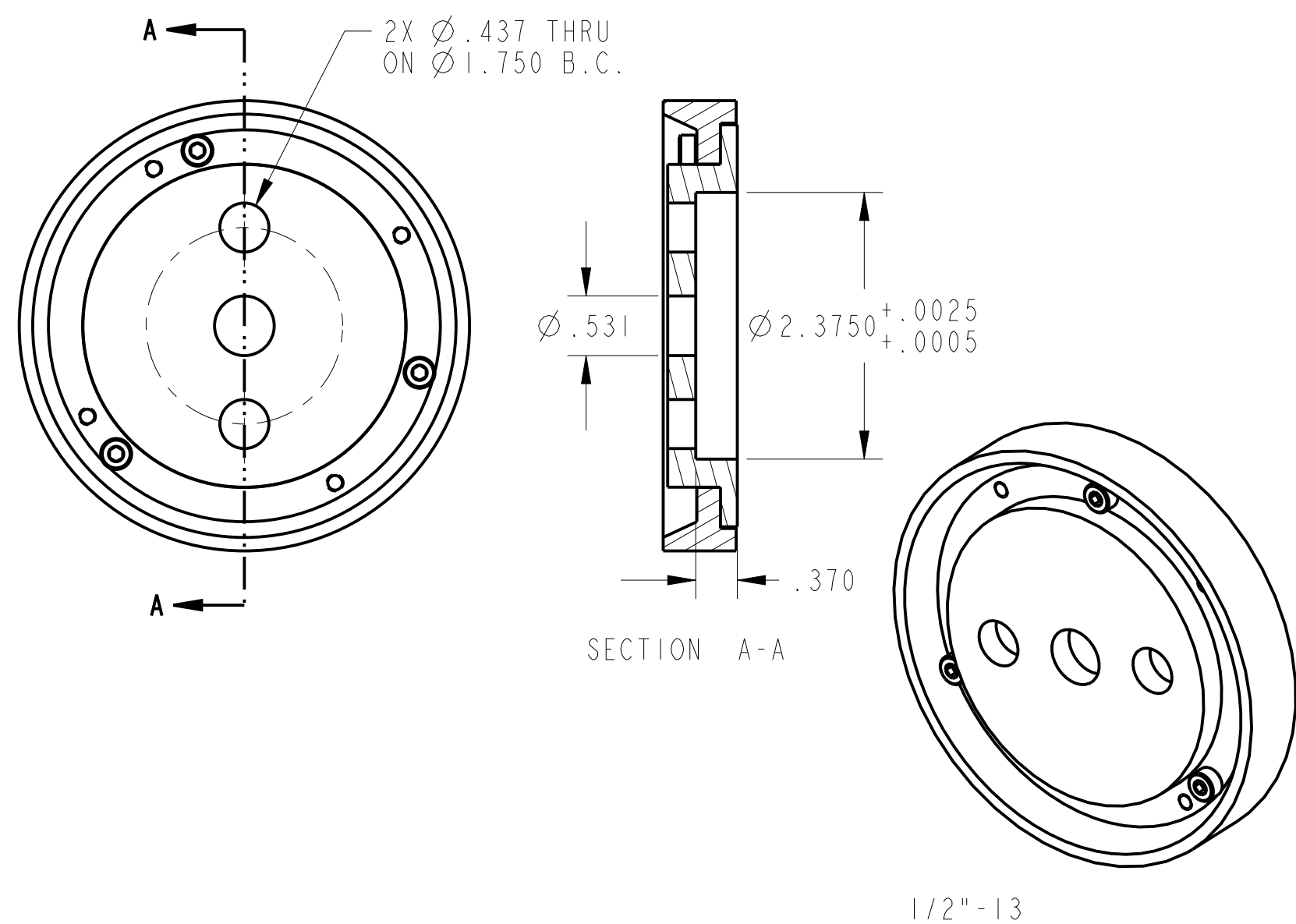
REV	ECN	DATE	APPROVED



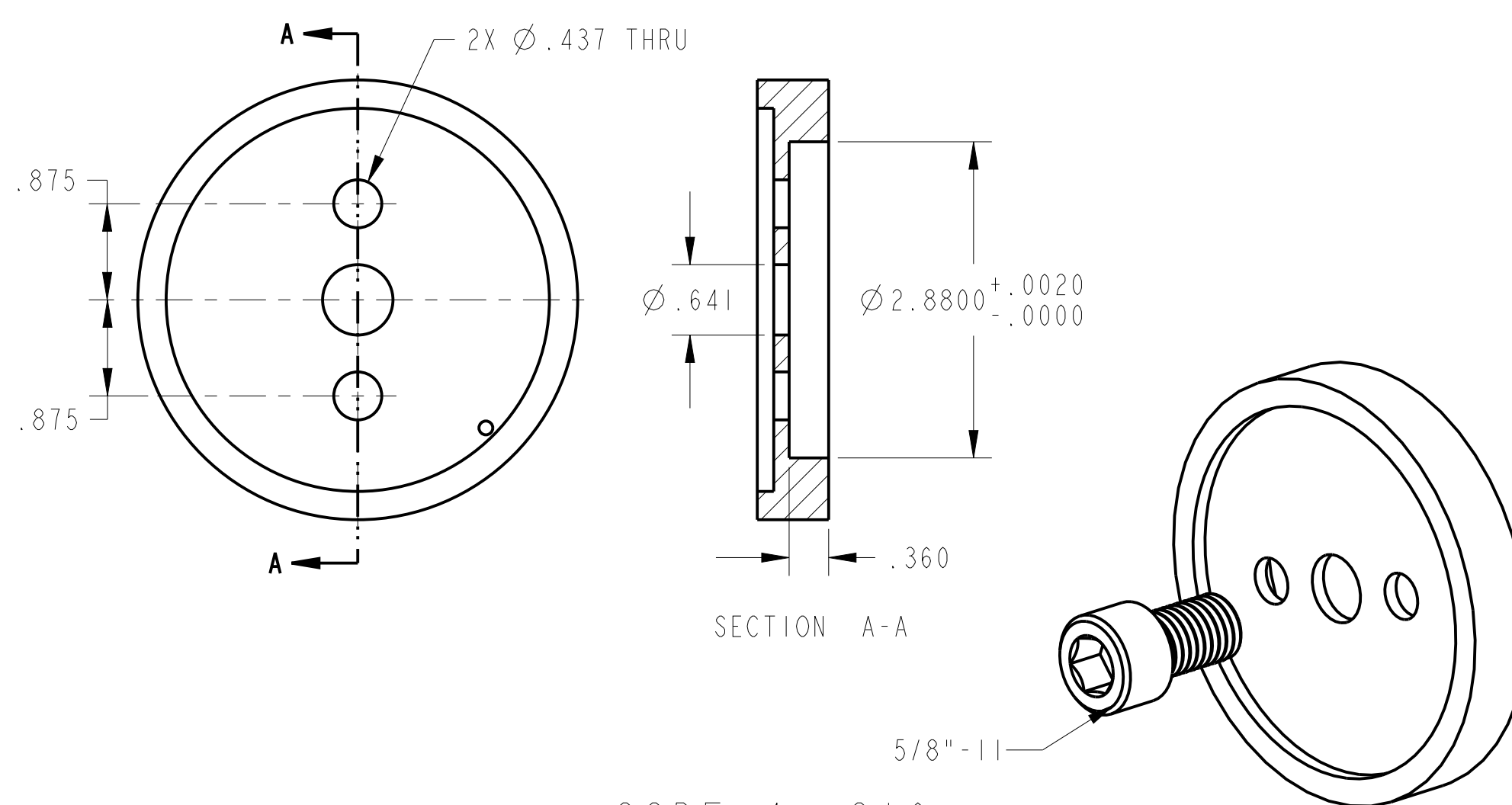
CODE 4: G01



CODE 4: G06



CODE 4: G08



CODE 4: G10

TOLERANCES UNLESS INDICATED:		UNITS: INCH	TITLE CUSTOMER DRAWING, ST85	
.XXX	.XX	FINISH:	FILE NAME:	SCALE:
± .005	± .01	ANGLES / 1/2°	703061-0001	/
		"C" SIZE	DRAWN:	DATE:
			AJ	11/20/12
			CHECKED:	DATE:
			AJ	11/20/12
			RELEASED:	DATE:
			AJ	11/20/12
			COMPLIANCE REQUIRED	REV
			<input type="checkbox"/> UL <input type="checkbox"/> CSA <input type="checkbox"/> CE <input type="checkbox"/> TUV	
			<input type="checkbox"/> FCC <input type="checkbox"/> VCCI <input checked="" type="checkbox"/> RoHS <input type="checkbox"/> ATEX	
			PRO/E MODEL: 703061-0001	
			APPLICATION: ST85	
			DRAWING NUMBER	
			703061-0001	50F5 A