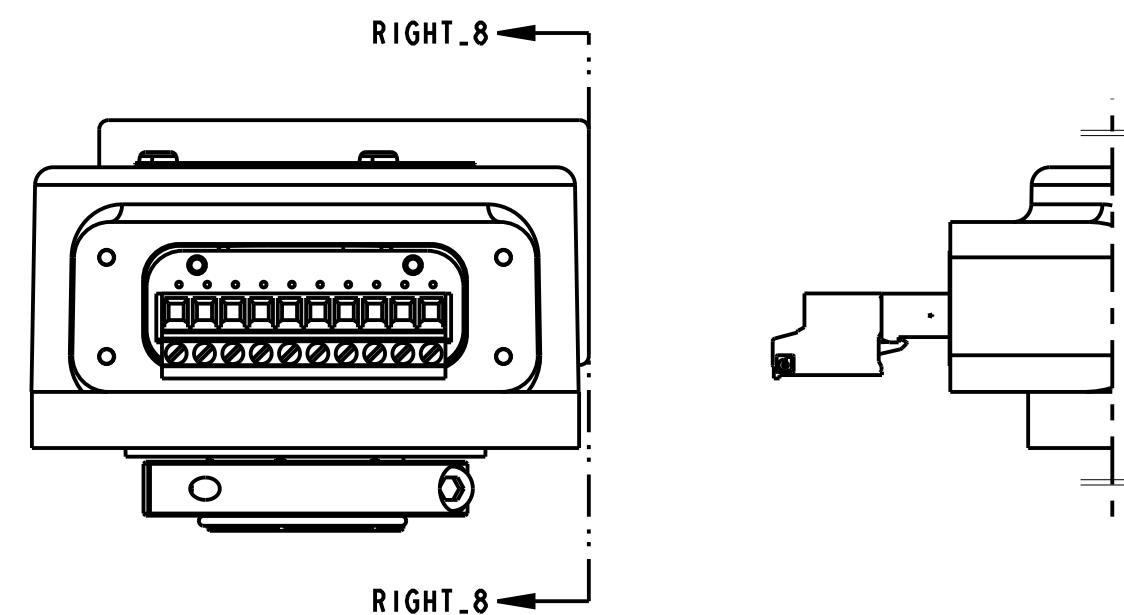
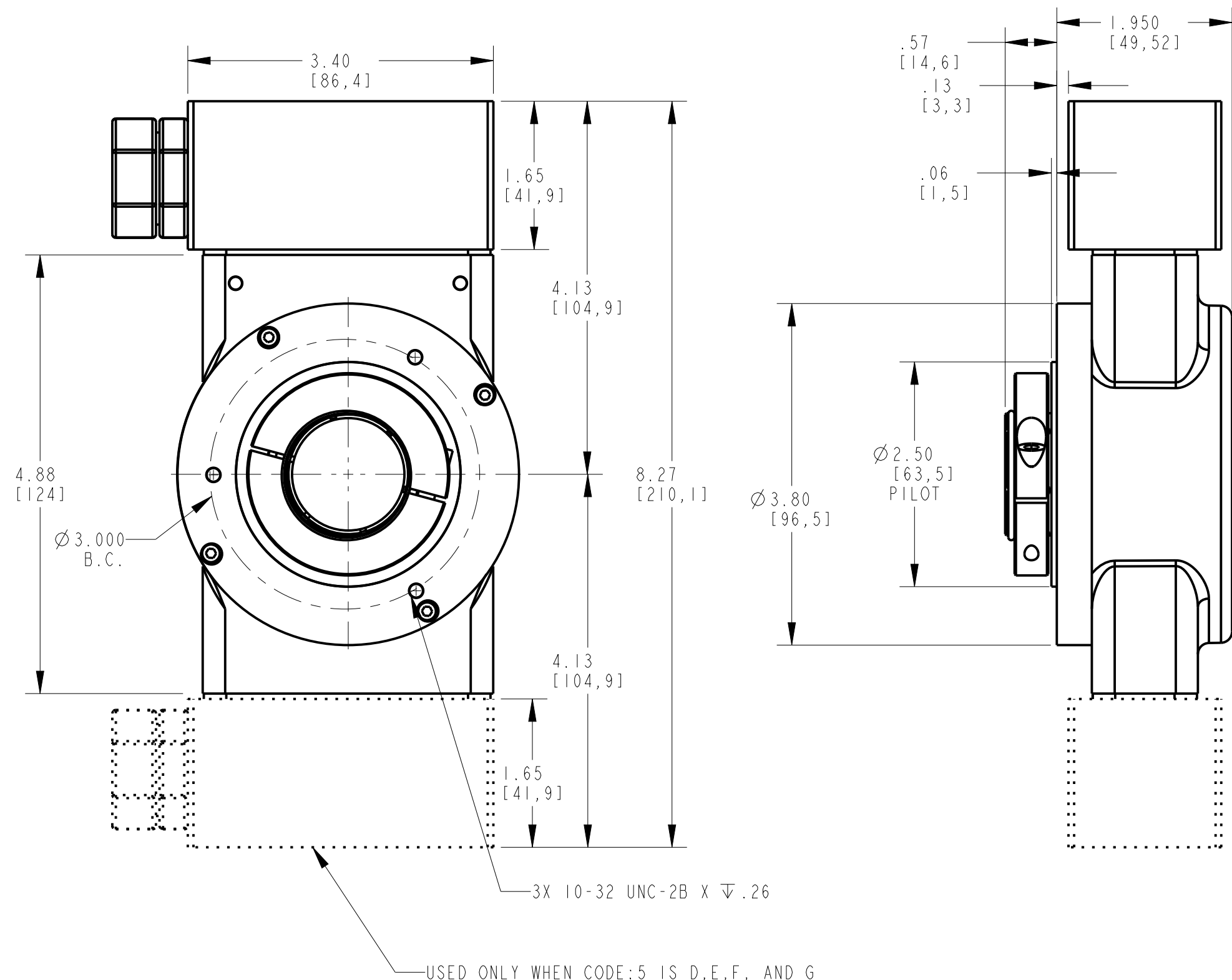


REV	ECN	DATE	APPROVED
A	33328	04/15/13	AJ



SPECIFICATION

STANDARD OPERATING CHARACTERISTICS

CODE..... INCREMENTAL
RESOLUTION..... TO 5000 PPR (PULSES/REVOLUTION) SEE ORDERING INFORMATION
FORMAT..... TWO CHANNEL QUADRATURE (AB) WITH OPTIONAL INDEX(Z), AND COMPLEMENTARY OUTPUTS
PHASING SENSE..... A LEADS B FOR CW ROTATION VIEWING SPLIT COLLAR (SHAFT) CLAMP END OF THE ENCODER
QUADRATURE PHASING..... FOR RESOLUTIONS 200-300PPR AND 1200 PPR AND ABOVE 90°±30° ELECTRICAL; ALL OTHER RESOLUTIONS 90°±15°
SYMMETRY..... FOR RESOLUTIONS 200-300PPR AND ABOVE 1024PPR 180°±25° ELECTRICAL; ALL OTHER RESOLUTIONS 180°±18°
WAVEFORMS..... SQUAREWAVE WITH RISE AND FALL TIMES LESS THAN 1 MICROSECOND INTO A LOAD CAPACITANCE OF 1000 p f

ELECTRICAL

INPUT POWER REQUIREMENTS... 5-26VDC, 5-15VDC. 50mA MAX., NOT INCLUDING OUTPUT LOADS
OUTPUT..... ET7272, ET7273, 4469
FREQUENCY RESPONSE..... 125 kHz (DATA & INDEX)
TERMINATION..... 10 PIN PHOENIX-CONTACT CONNECTOR

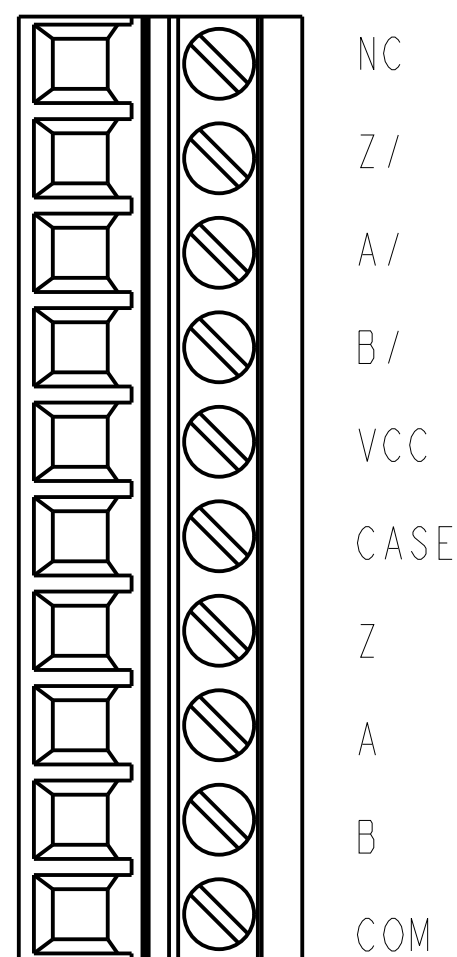
MECHANICAL

SHAFT MATERIAL..... STAINLESS STEEL
BORE DIAMETER..... 6mm TO 28mm, 1.4" TO 1.25", ELECTRICALLY ISOLATED
MATING SHAFT LENGTH..... 1.25" MIN., 1.6" RECOMMENDED
SHAFT SPEED..... 6000 RPM, MAXIMUM (ENCLOSURE RATING IS IP64 AT SPEED OVER 5000 RPM)
STARTING TORQUE..... 8.0 IN-OZ MAX. (AT 25°C)
RUNNING TORQUE..... 5.0 IN-OZ MAX. (AT AMBIENT)
BEARING..... ABEC 3
HOUSING AND COVER..... HARD ANODIZED AND POWDER COATED ALUMINUM
DISC MATERIAL..... PLASTIC OR METAL (UNBREAKABLE)
WEIGHT..... 1.76 LB (28 OZ.) TYPICAL

ENVIRONMENTAL

OPERATING TEMPERATURE..... -40° TO + 85°C (0 TO +70 °C WITH 4469 LINE DRIVER, SEE "ORDERING INFORMATION") AT SHAFT SPEED ABOVE 3000 RPM, DERATE 10° C PER 1000 RPM
EXTENDED TEMPERATURE RANGE... -40° TO +100°C (SEE ORDERING INFORMATION)
STORAGE TEMPERATURE RANGE... -40° TO +100°C
SHOCK..... 400 G's FOR 6 MILLISECOND DURATION
VIBRATION..... 20 G's AT 5 TO 3000 Hz
HUMIDITY..... 100%
ENCLOSURE RATING..... IP67 (IP64 AT SHAFT SPEEDS ABOVE 5000RPM)

ELECTRICAL CONNECTIONS



TOLERANCES UNLESS INDICATED:		UNITS: INCH	TITLE OUTLINE AND SPEC, HSD35 DIV 2	
.XXX	.XX	ANGLES /	FILE NAME: 703022-0001	SCALE: 1:1
± .005	± .01	± 1/2°	DRAWN: AJ	DATE: 02/20/12
		FINISH: NONE	CHECKED:	DATE:
		© 2012 D.T.C. "C" SIZE	RELEASED: AJ	DATE: 02/20/12
			COMPLIANCE REQUIRED	
			<input type="checkbox"/> UL <input type="checkbox"/> CSA <input type="checkbox"/> CE <input type="checkbox"/> TUV <input type="checkbox"/> FCC <input type="checkbox"/> VCCI <input type="checkbox"/> RoHS <input type="checkbox"/> ATEX PRO/E MODEL: 703022-0001.PRT APPLICATION: HSD35D2 DRAWING NUMBER: 703022-0001	
			REV	A