

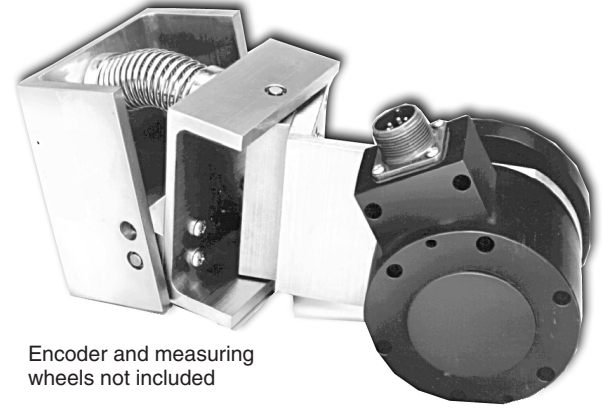
# UNIVERSAL MOUNT

**Dynapar™ brand**

## Universal Mounting Bracket

### Key Features

- Complete, Pre-assembled Mounting System with Hardware Included
- Single or Dual Wheel uses Same Mount
- Easy Machine Attachment
- Built-in Spring Tension with Two Degrees of Freedom for Accurate Tracking



Encoder and measuring wheels not included

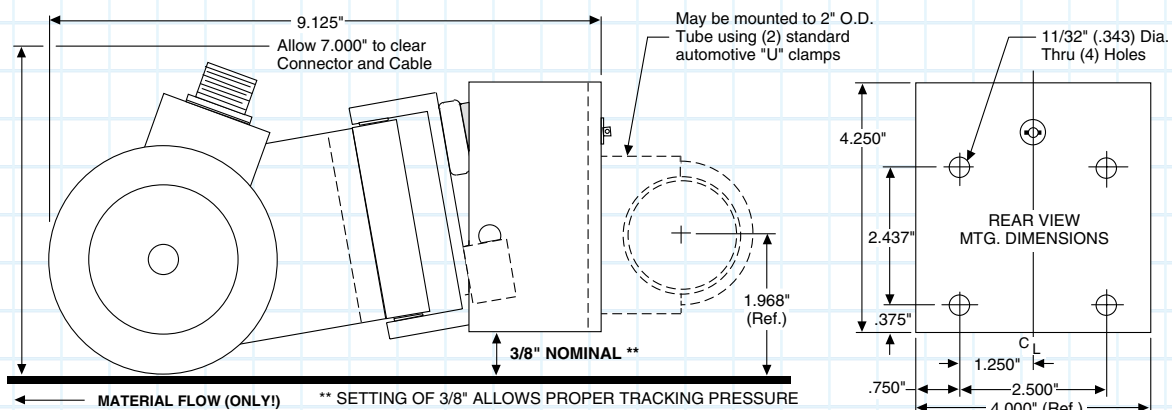
## SPECIFICATIONS

### ORDERING INFORMATION

The mounting bracket may be used with the listed series encoders having the specified mounting configurations.

| Bracket Model No. | Description                | Compatible Encoder Series   | Mounting Configuration                    |
|-------------------|----------------------------|---|---|
| 14005750000       | Universal Mounting Bracket | HA25, HC25, HR25, HD25, Hazardous Series HD25, HE25, IE25, HA725, H42, AI25, AR62/63, R25, RF25 | 2.5" Square Flange                        |
|                   |                            | 60 Rotopulser   | 2.5" Servo Flange (A and C Housings Only) |
|                   |                            | HA25, HC25, HR25, HE25, IE25, AI25, R25   | 2.5" Servo Flange                         |

### DIMENSIONS



**Dynapar™ brand**

# UNIVERSAL MOUNT

---



Worldwide Brands: NorthStar™ • Dynapar™ • Hengstler™ • Harowe™

**DYNAPAR™**  
INNOVATION - CUSTOMIZATION - DELIVERY

[WWW.DYNAPAR.COM](http://WWW.DYNAPAR.COM)

Headquarters: 1675 Delany Road • Gurnee, IL 60031-1282 • USA

**Customer Service:**

Tel.: +1.800.873.8731

Fax: +1.847.662.4150

[custserv@dynapar.com](mailto:custserv@dynapar.com)

**Technical Support**

Tel.: +1.800.234.8731

Fax: +1.847.662.4150

[northstar.techsupport@dynapar.com](mailto:northstar.techsupport@dynapar.com)

**European Sales Representative**

Hengstler GmbH

Uhlandstrasse 49, 78554 Aldingen

Germany

[www.hengstler.com](http://www.hengstler.com)

Dynapar™ brand is a trademark of DYNAPAR. All rights reserved.  
Specifications subject to change without notice.  
Document No.: 702933-0001, Rev. A ©2016 DYNAPAR