

ENCODERS FOR **WIND** TURBINES



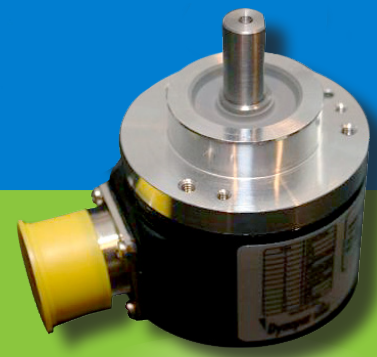
W56

Used on pitch control units



HSD38

Used on generators



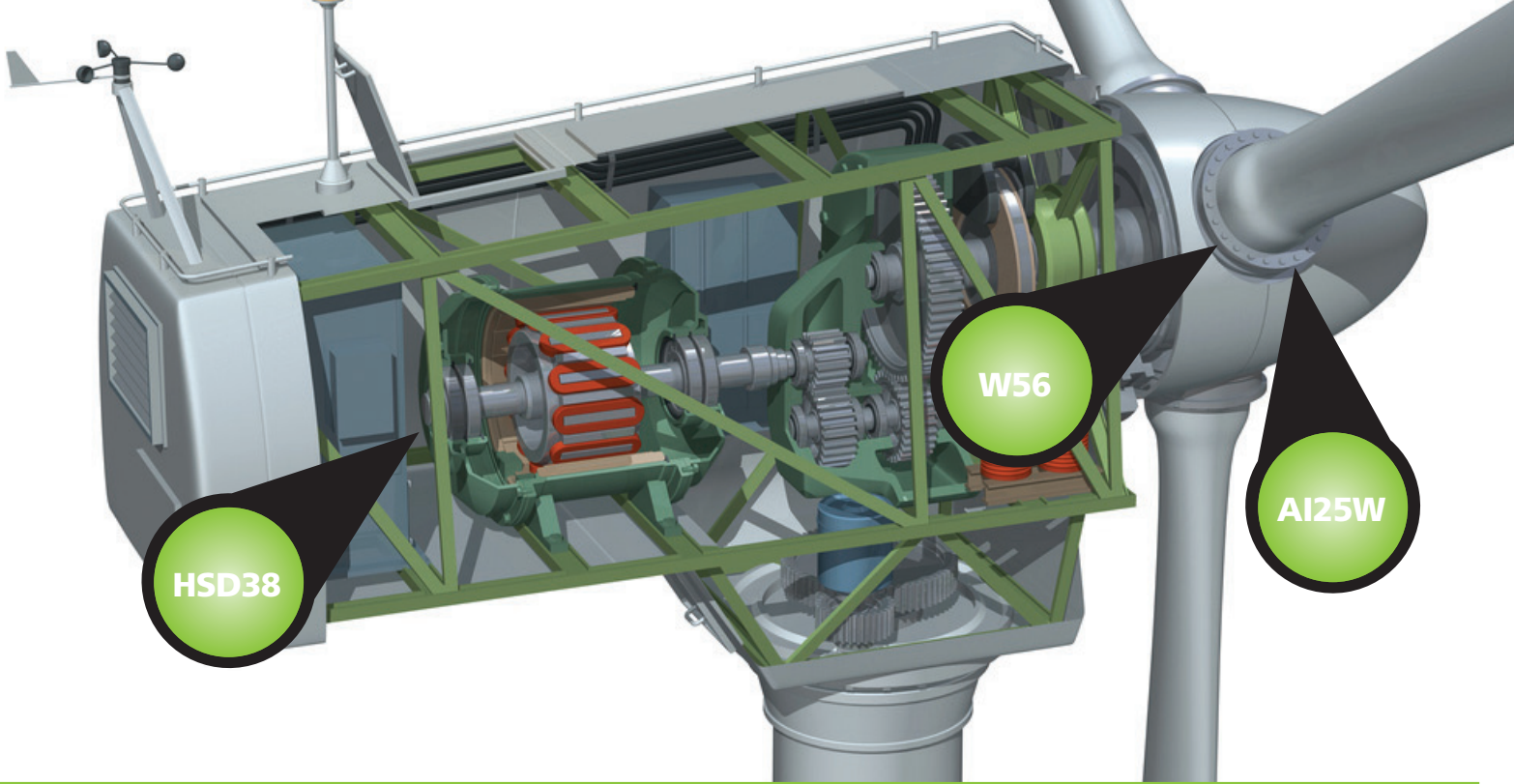
AI25W

Used on pitch control units

Dynapar is leading the way as an innovator in
encoder technology for wind turbines

Dynapar encoders are long lasting, readily available and easy to install making your job easier.





W56



HSD38



AI25W

Application	Pitch Control	Generator	Pitch Control
Resolution	1024 PPR	15 to 5000 PPR	12 bit multiturn
Temperature	-40 to +130°C	-40 to +100°C	-40 to +100°C
Shaft Style	Hollowshaft	Hollowshaft	Shafted/Hubshaft
Signal format	Quadrature A,B	Quadrature A,B	SSI
Shaft Diameter	1-1/8" w keyway	1/2" to 1 inch	Shafted: 6 and 10mm, 3/8" Bore: 10 and 12mm, 3/8"

Other Dynapar Feedback Offerings for Wind Turbines



**R25
Resolver**

Application	Pitch Control
Resolution	+ - 5 arcmin to + - 10 arcmin
Temperature	Up to 125°C
Shaft Style	Shafted
Signal Format	Sin-Cos
Shaft Diameter	.3745" (9.51mm)



AR62

Application	Pitch Control
Resolution	12 bit singleturn, 16 bit multiturn
Temperature	-40 to +100°C
Shaft Style	Shafted
Signal format	SSI, CAN, Analog
Shaft Diameter	10mm or 3/8"